

## Use this troubleshooting supplement to help:

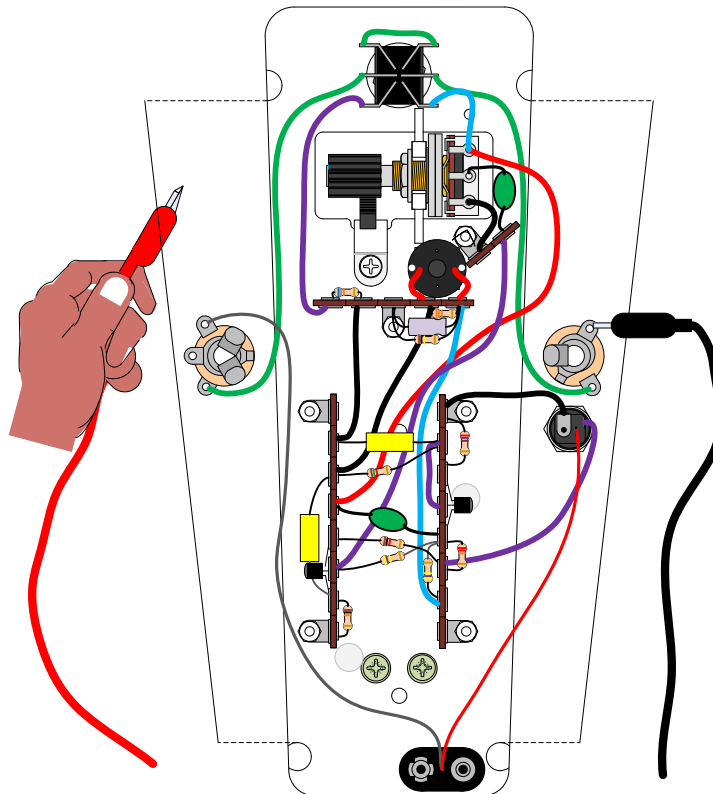
- Measure DC voltage test points to identify major discrepancies and locate problem areas.

(Keep in mind that the voltage measurements will vary slightly from kit to kit. The voltages you measure should be in the same ballpark, but do not expect to get the exact same value.)

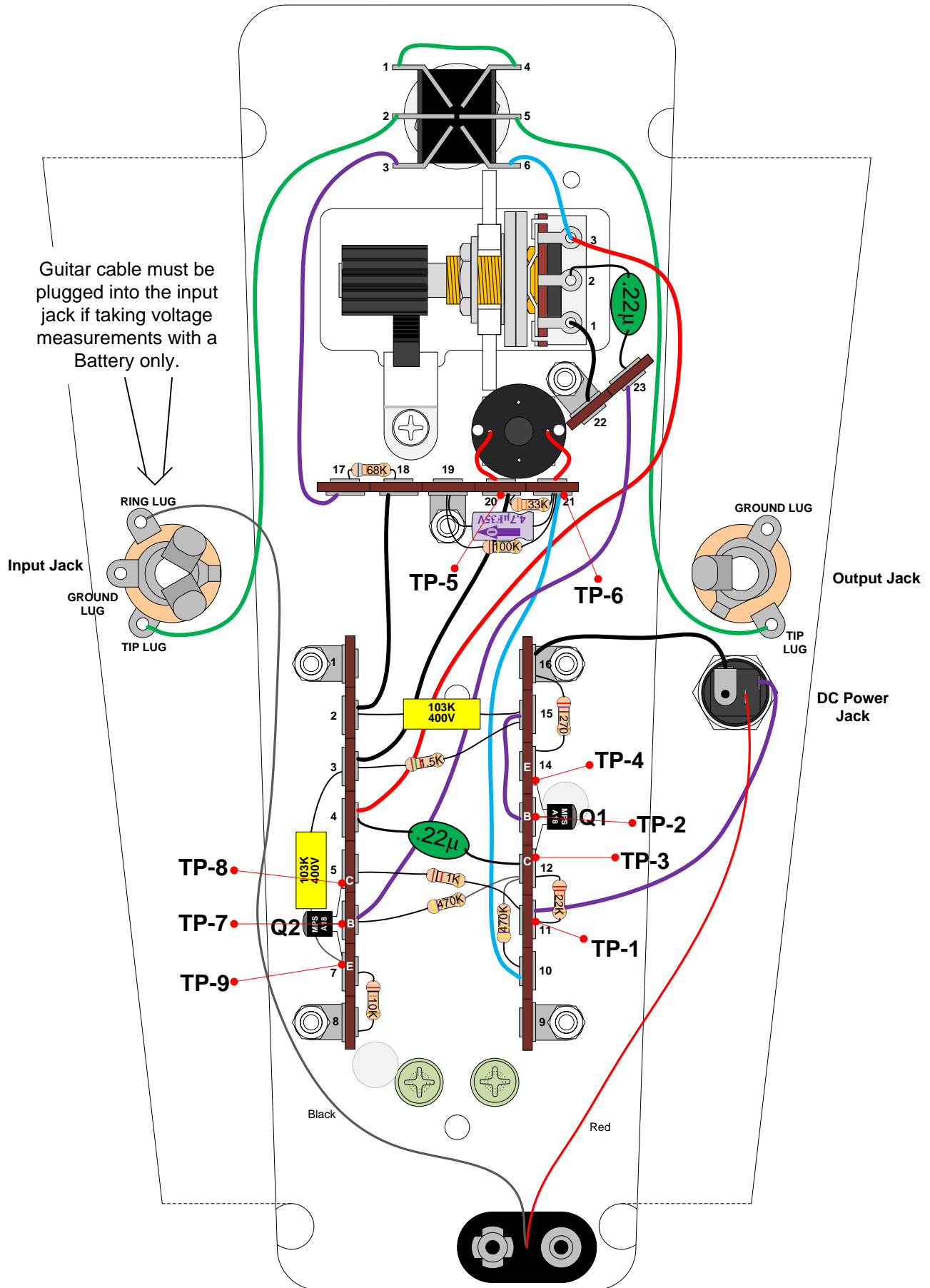
Test Point	Location Description	DC Voltage Measurement
<b>1</b>	DC Power Supply Input	9.2 VDC
<b>2</b>	Q1 Base	0.7 VDC
<b>3</b>	Q1 Collector	3.8 VDC
<b>4</b>	Q1 Emitter	0.06 VDC
<b>5</b>	Inductor (1.5K side)	0.7 VDC
<b>6</b>	Inductor (100K side)	0.7 VDC
<b>7</b>	Q2 Base	3.5 VDC
<b>8</b>	Q2 Collector	8.9 VDC
<b>9</b>	Q2 Emitter	3.1 VDC

Using a volt meter, connect the ground side lead of the meter to any ground point on the pedal. One ground point would be the output jack's ground lug. The other volt meter lead will be used to measure DC voltage at the test points listed above and shown in the drawing on the next page.

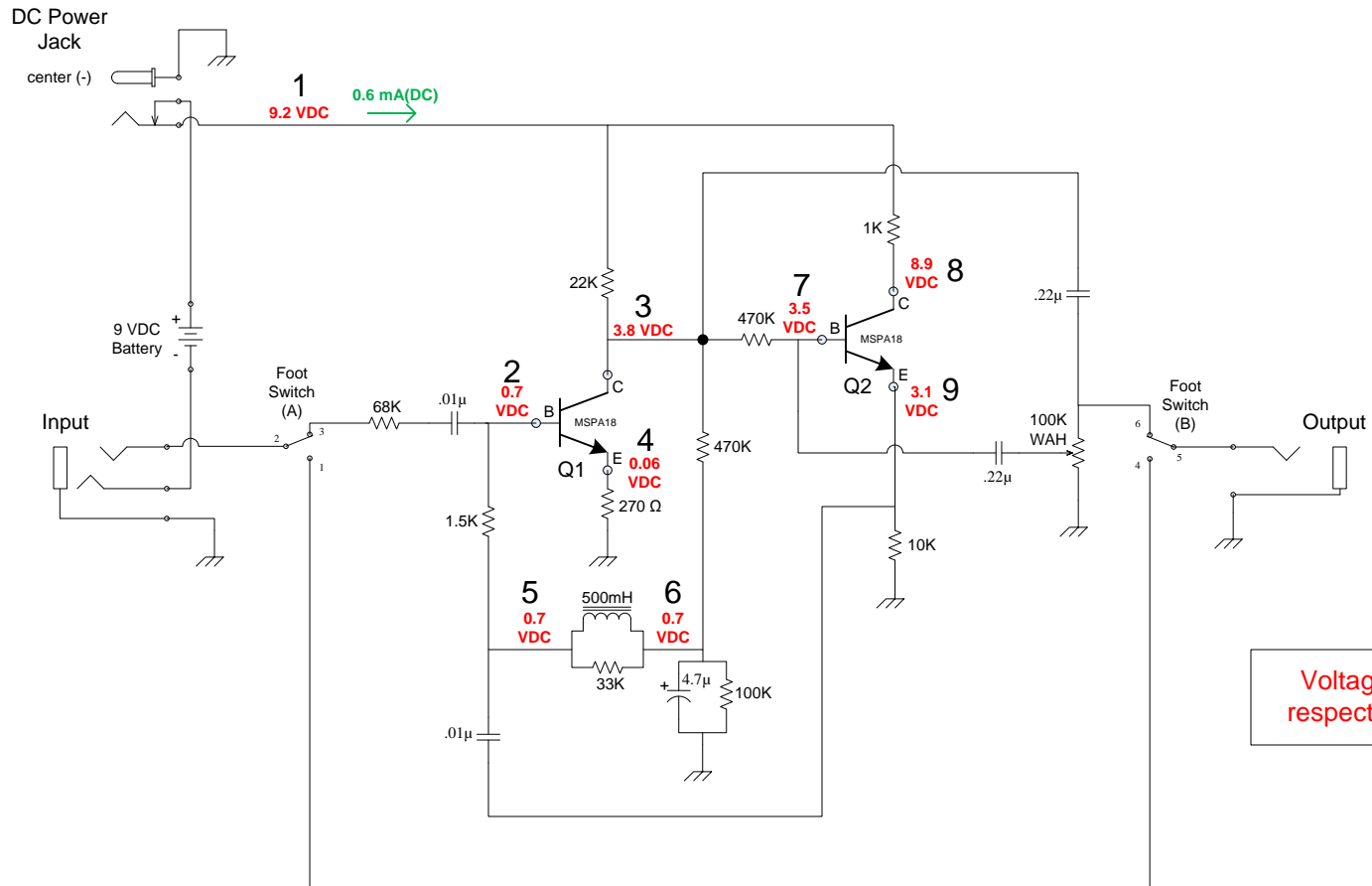
Plug a guitar cable into the input jack while taking measurements at each test point if you are using a battery for power. Any major differences from the voltages listed above should indicate a problem area.



# DC Voltage Test Points - Layout Drawing

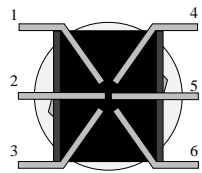


# DC Voltage Test Points - Schematic

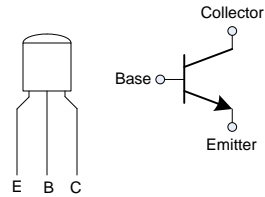


Voltages measured with respect to chassis ground.

DPTD Foot Switch



MPSA18 NPN BJT



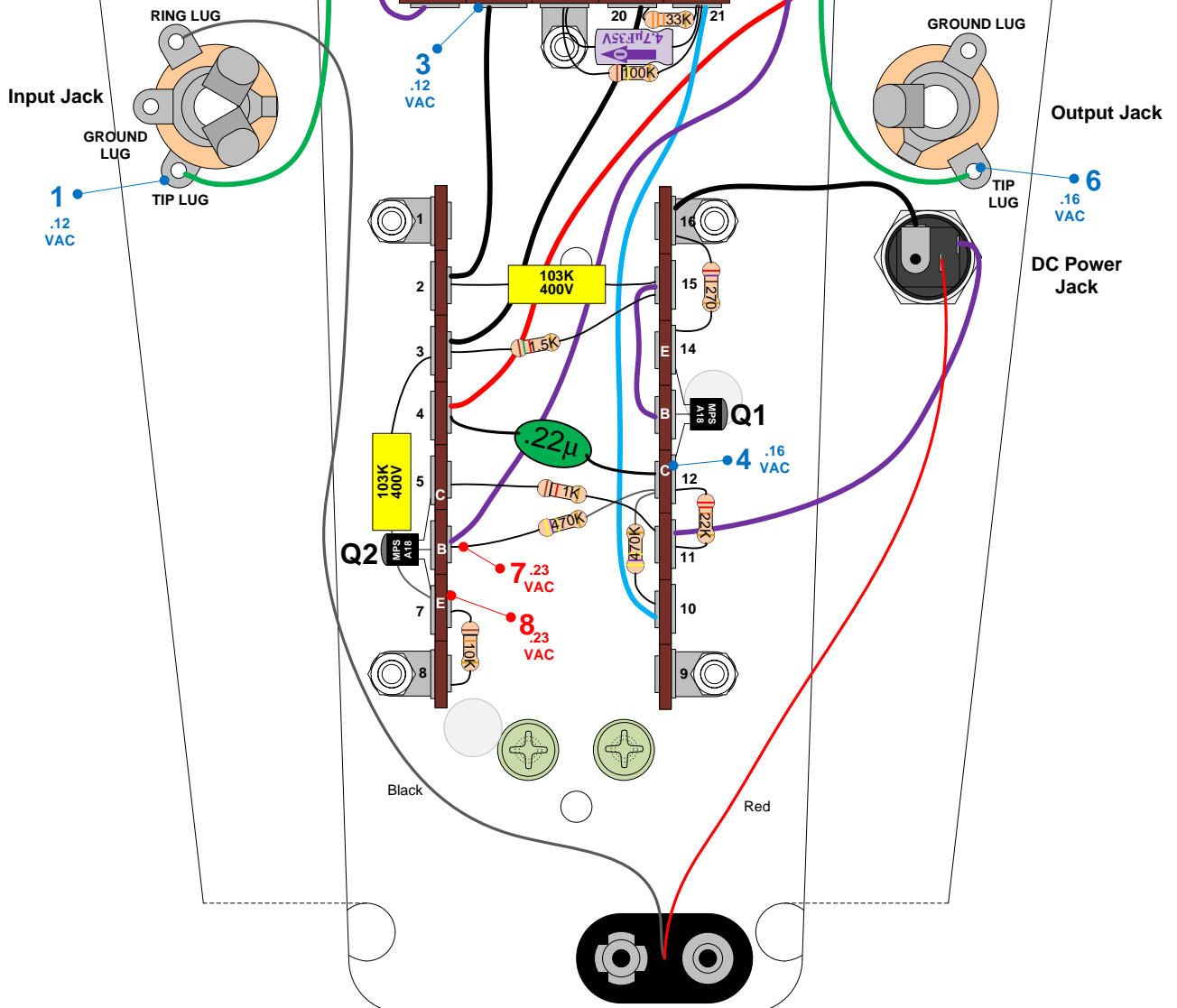
www.modkitsdiy.com  
Copyright © 2014 by modkitsdiy.com

"The Wahz" (K-985) Schematic

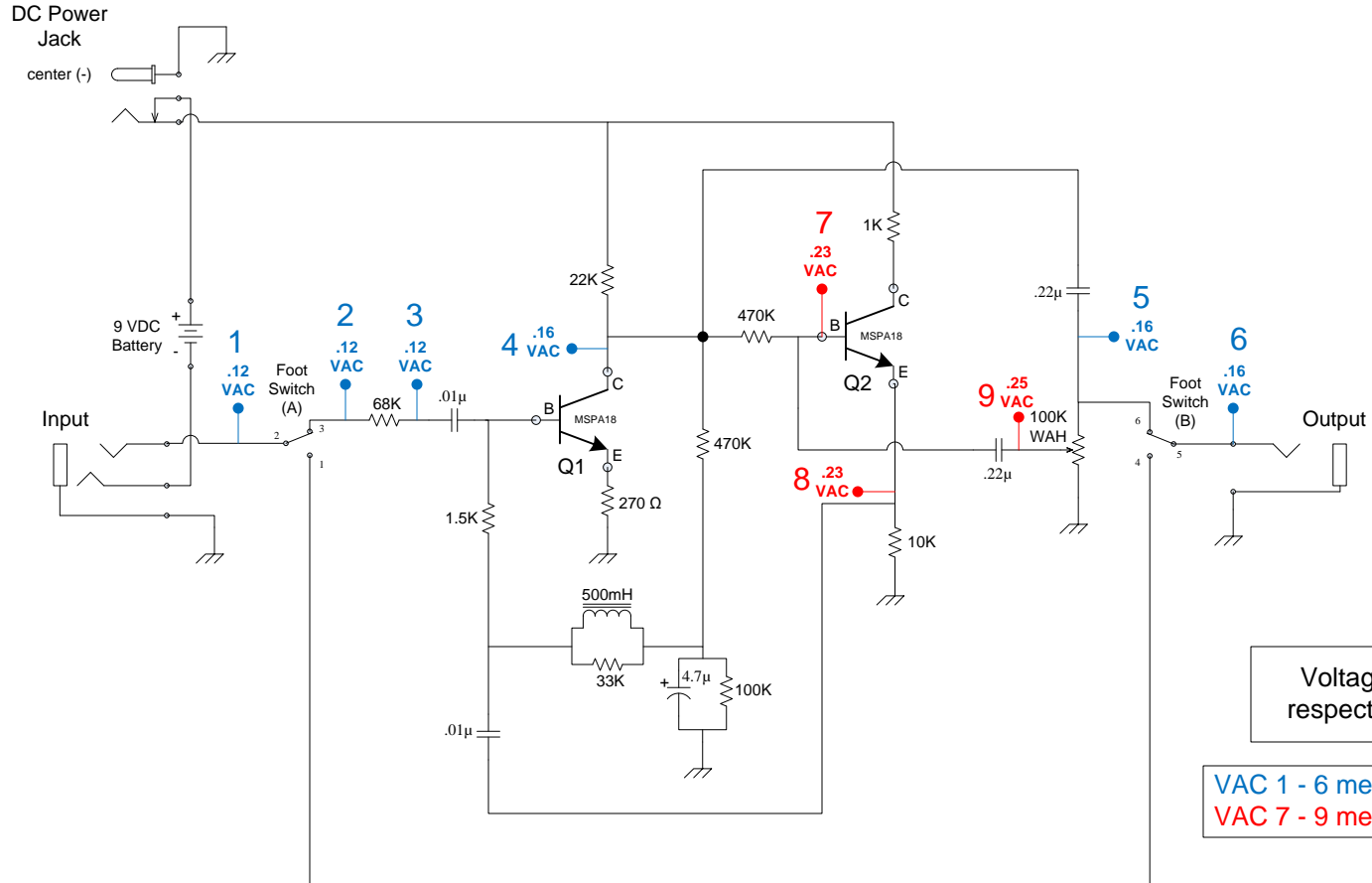
# AC Voltage Test Points - Layout Drawing

VAC 1 - 6 measured with wah toe down.  
 VAC 7 - 9 measured with wah heel down.

Guitar cable must be plugged into the input jack if taking voltage measurements with a Battery only.



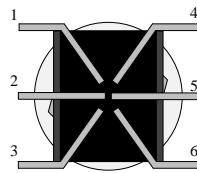
# AC Voltage Test Points - Schematic



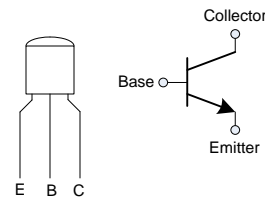
Voltages measured with respect to chassis ground.

VAC 1 - 6 measured with wah toe down.  
 VAC 7 - 9 measured with wah heel down.

DPDT Foot Switch



MPSA18 NPN BJT



www.modkitsdiy.com  
 Copyright © 2014 by modkitsdiy.com

"The Wahz" (K-985) Schematic