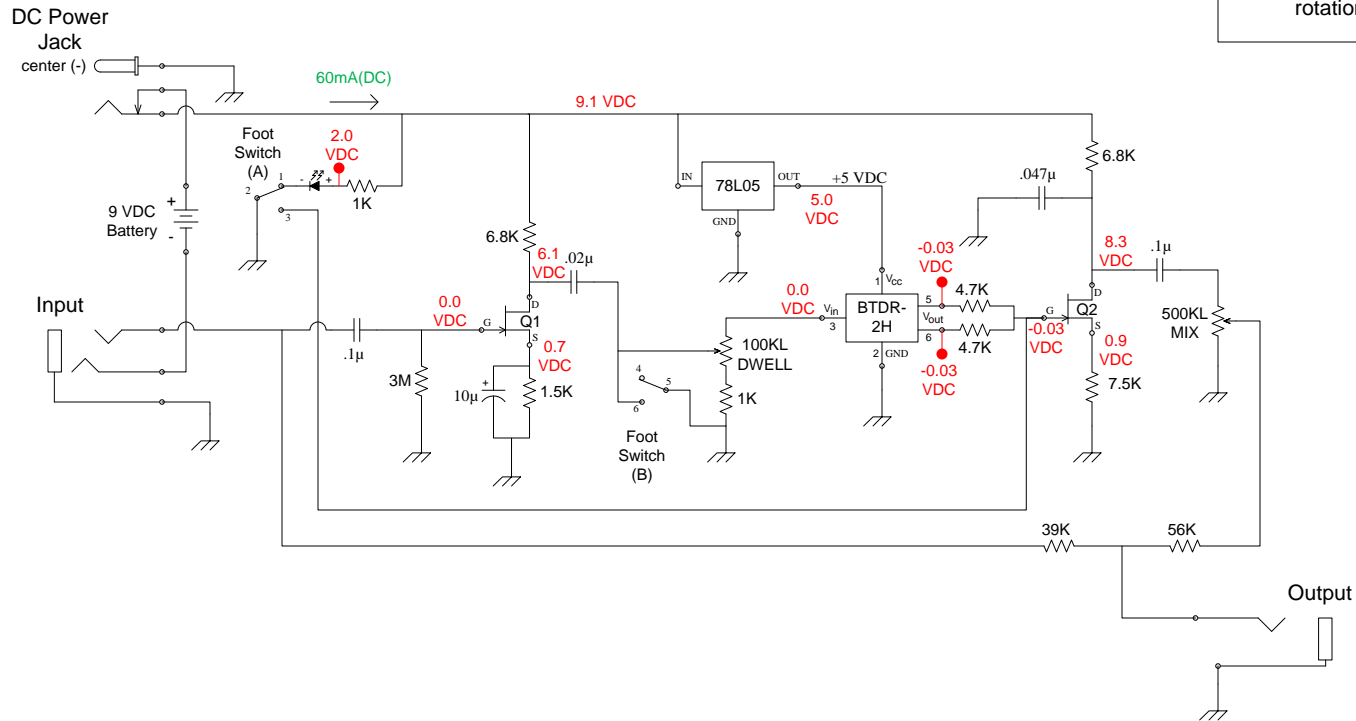
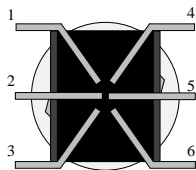


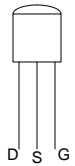
Voltage and current measurements were taken with "DWELL" and "MIX" set to minimum (full counter-clockwise rotation) and Reverb on.



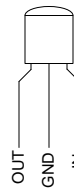
DPDT Foot Switch



PF5102
n-channel
JFET



78L05
Voltage
Regulator



MOD[®]

www.modkitsdiy.com

Copyright © 2012 by modkitsdiy.com

**"The Verb Deluxe" (K-915)
Schematic**