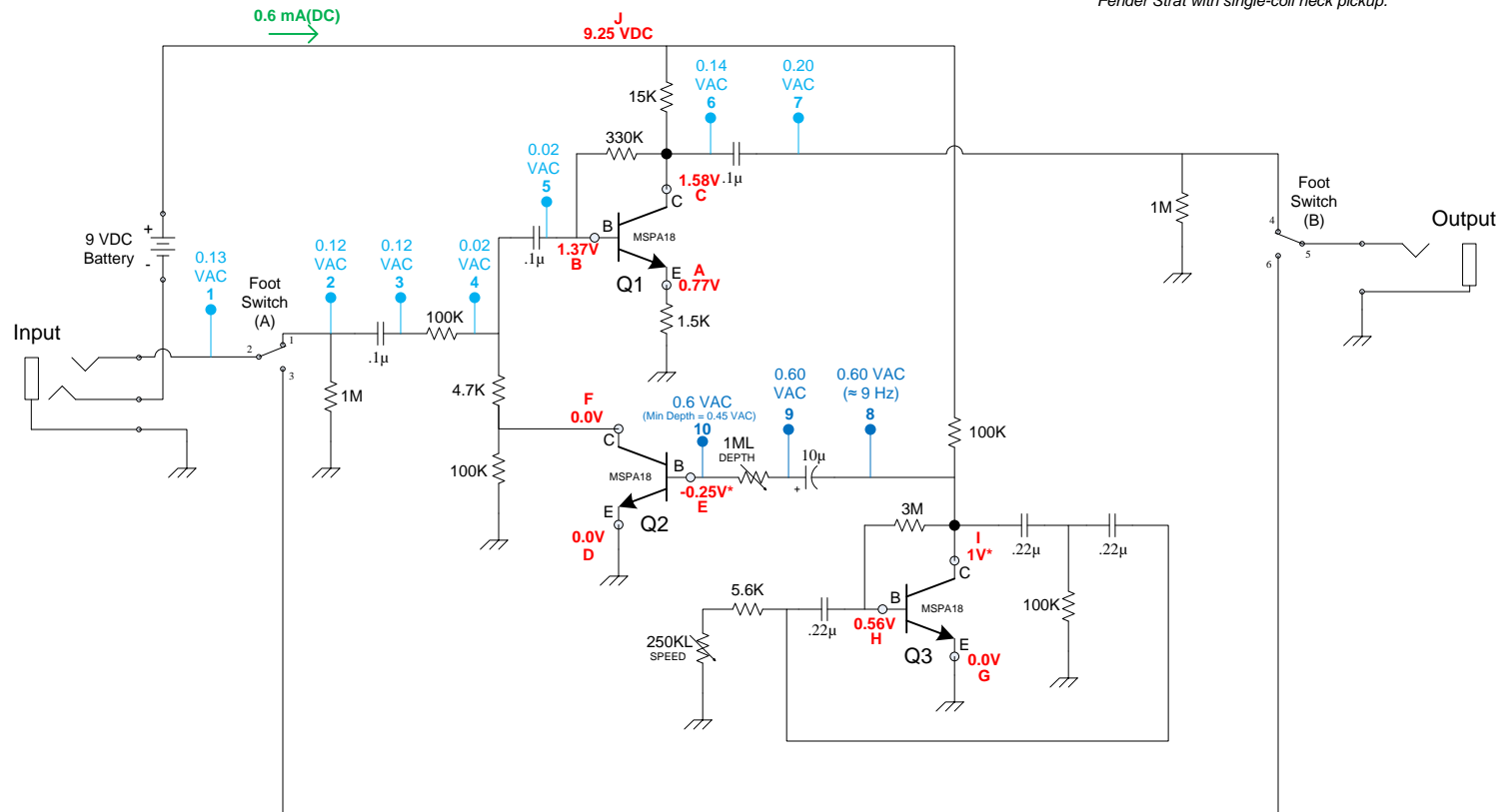


All measurements taken with both speed and depth at their maximum settings

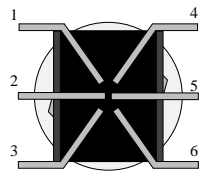
Letters (A - J) = DC Voltage measurements
 Numbers (1 - 7) = AC Voltage measurements in the signal path
 Numbers (8 - 10) = AC Voltage measurements from the oscillator

Numbers (1-7) VAC signal was produced by strumming an open E7 chord on a Fender Strat with single-coil neck pickup.

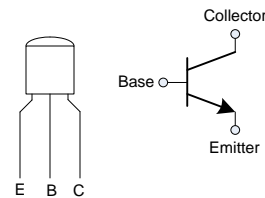


*Oscillation causes the voltage measurement to be unstable, but average the listed voltage with "speed" and "depth" controls at their max (full clock-wise) settings.

DPDT Foot Switch



MPSA18 NPN BJT



MOD[®]

www.modkitsdiy.com

Copyright © 2014 by modkitsdiy.com

"The Trill" (K-960) Schematic