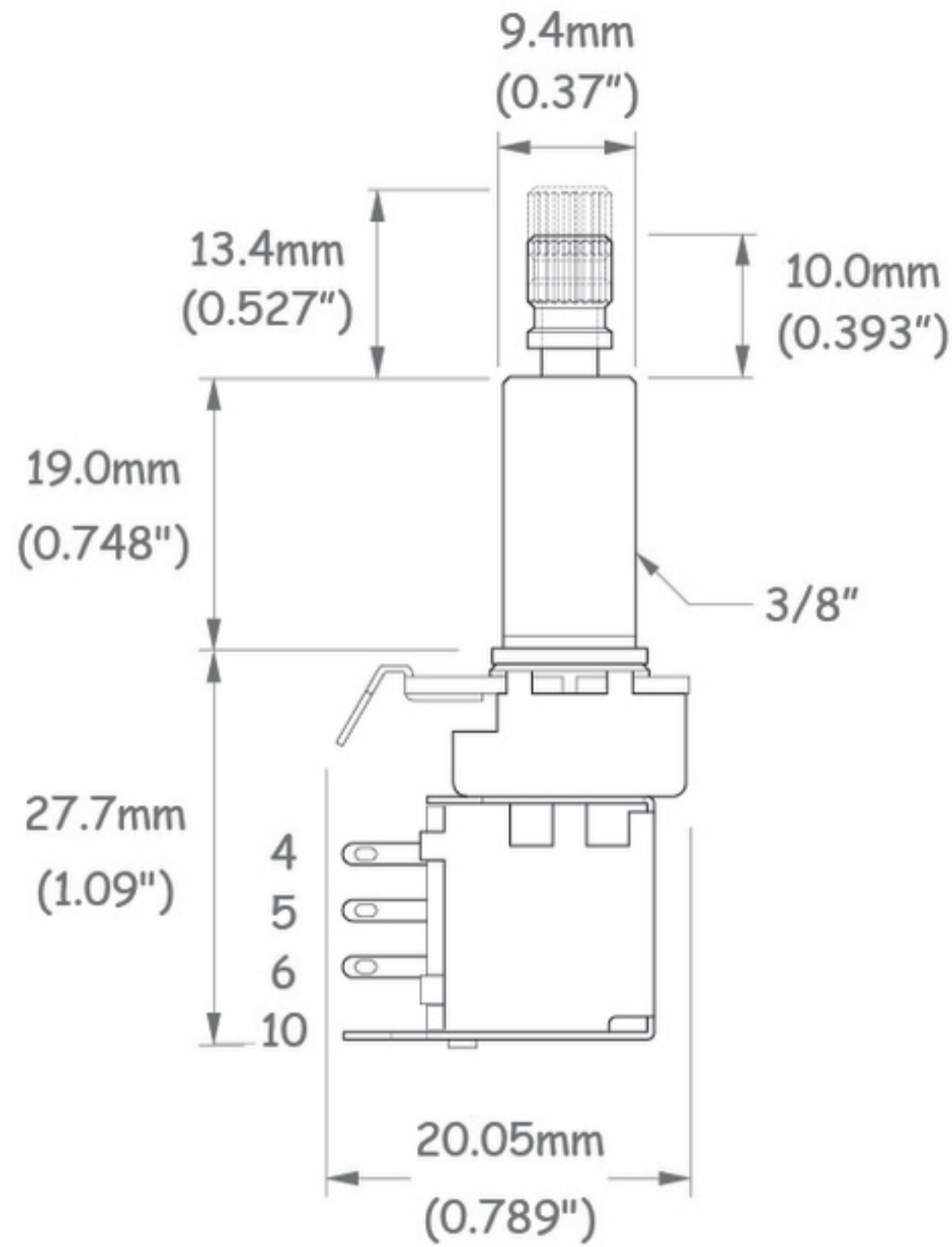
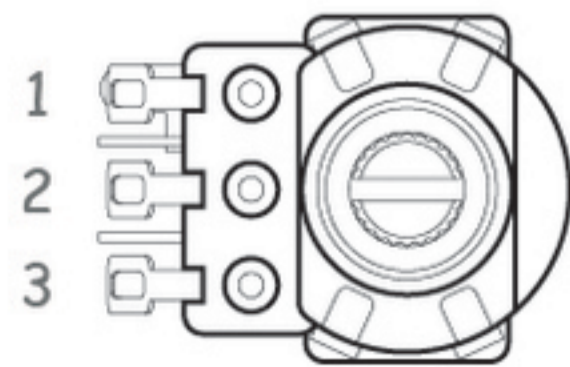
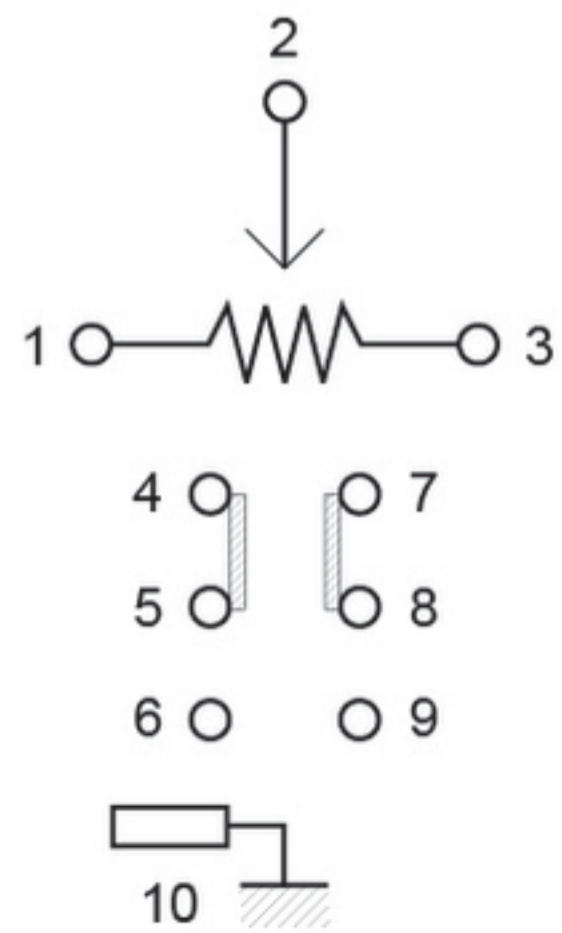
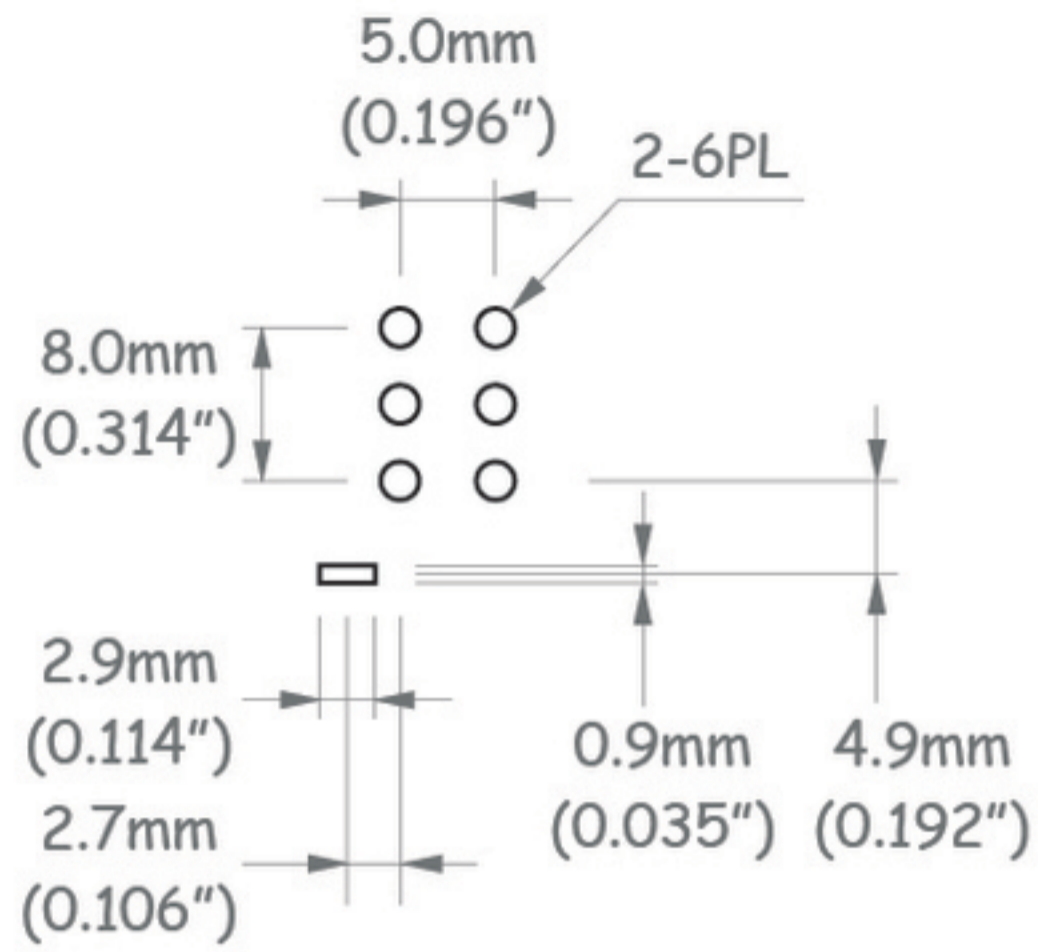
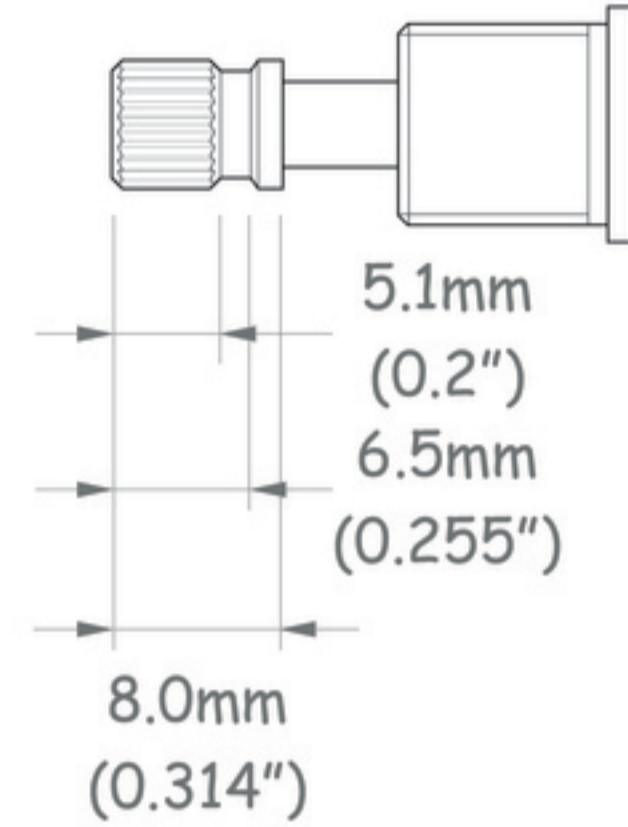


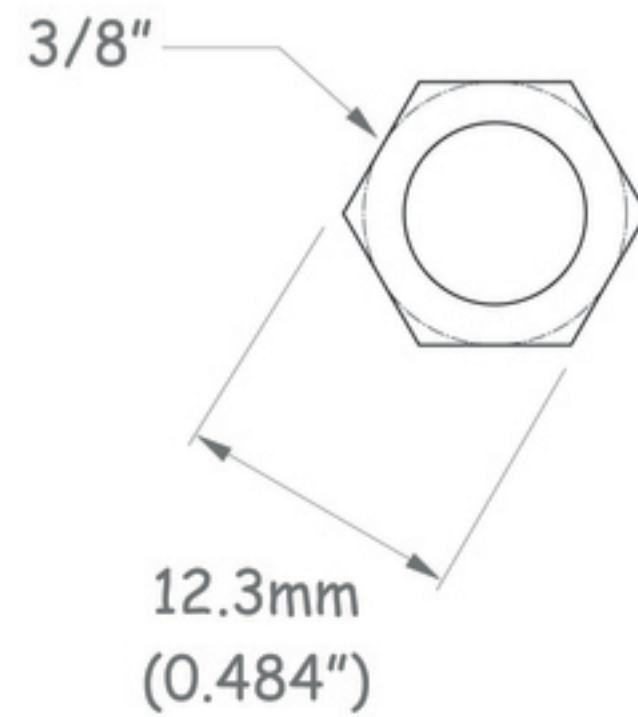
PCB LATOUT



(I) Inch-24tooth  
(Include Nut and Washer)



NUT



WASHER

