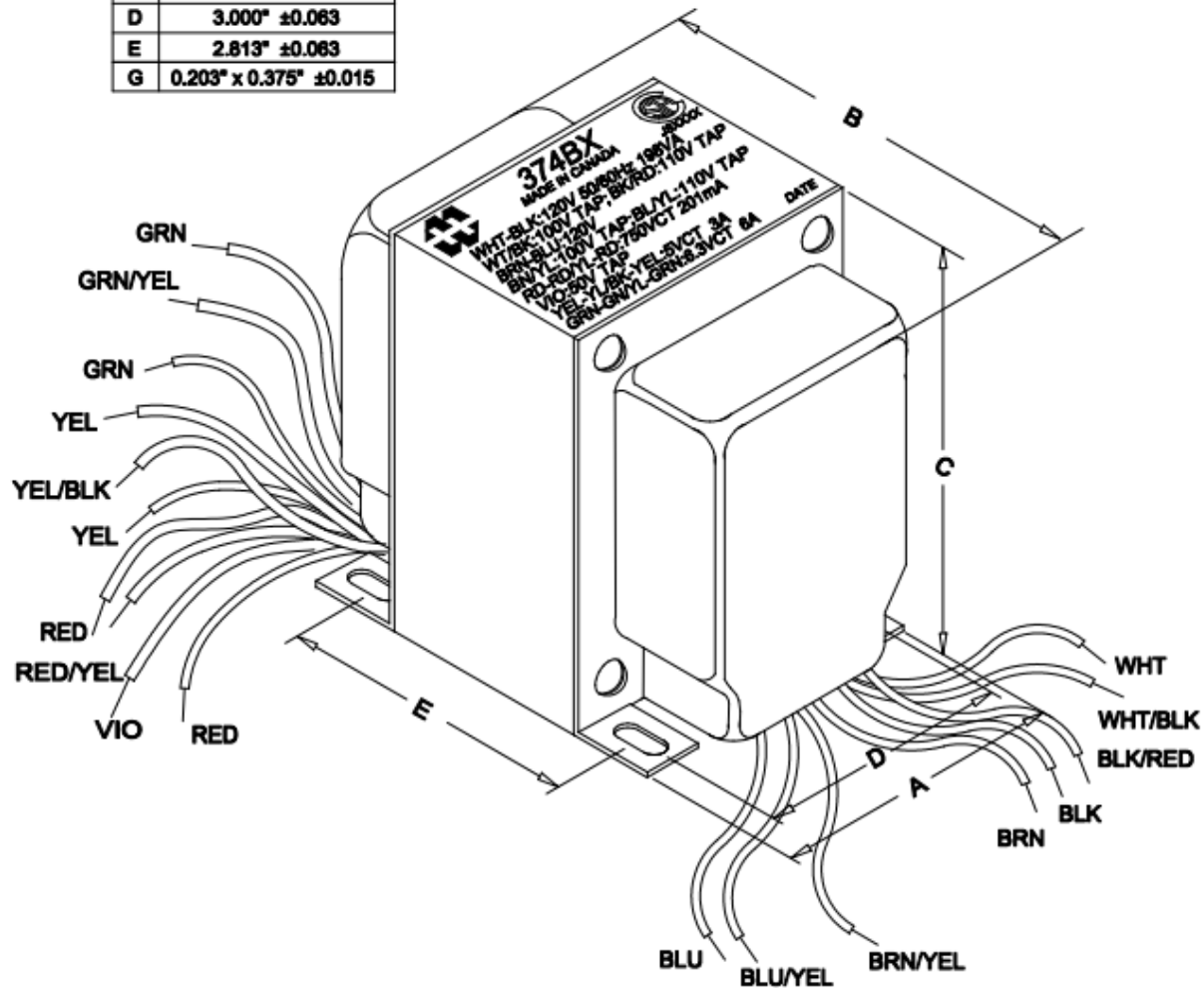
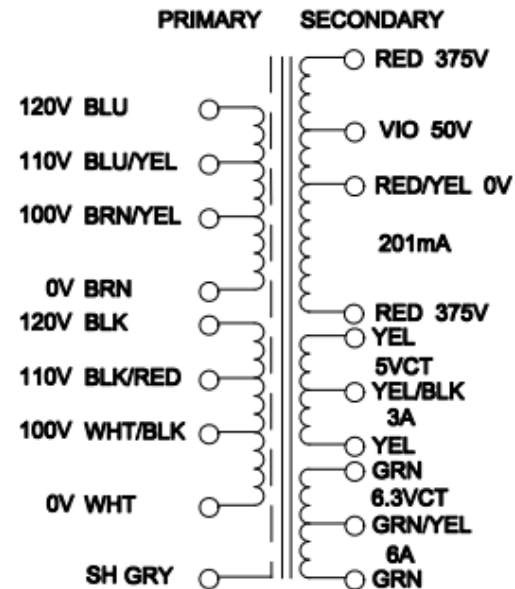


DIMENSIONS:	
A	3.750" ±0.063
B	3.935" ±0.125
C	4.563" ±0.063
D	3.000" ±0.063
E	2.813" ±0.063
G	0.203" x 0.375" ±0.015



NOTE: ALL LEADS 8" OUT MIN., STRIPPED .5"



ELECTRICAL DATA:			
TESTS	CONDITIONS	ACCEPTANCE CRITERIA	
I _{ex}	@ 120V, 60Hz, WHT - BLK	160mA	Max.
Sec. N.L.V	@ 120V, 60Hz, WHT - BLK		
	RED - RED =	784.7V	±2%
	RED - RED/YEL = RED/YEL - RED =	397.3V	±2%
	RED/YEL - VIO =	53.34V	±2%
	YEL - YEL =	5.334V	±2%
	YEL - YEL/BLK = YEL/BLK - YEL =	2.667V	±2%
	GRN - GRN =	6.857V	±2%
	GRN - GRN/YEL = GRN/YEL - GRN =	3.428V	±2%
DCR	@ 20°C, WHT - BLK =	3.800 Ω	±20%
	@ 20°C, BRN - BLU =	4.200 Ω	±20%
	@ 20°C, RED - RED =	104.0 Ω	±20%
	@ 20°C, YEL - YEL =	0.060 Ω	±20%
	@ 20°C, GRN - GRN =	0.040 Ω	±20%
HIPOT	PRIMARY - SECONDARY	2500V, 60Hz, 1 SEC	