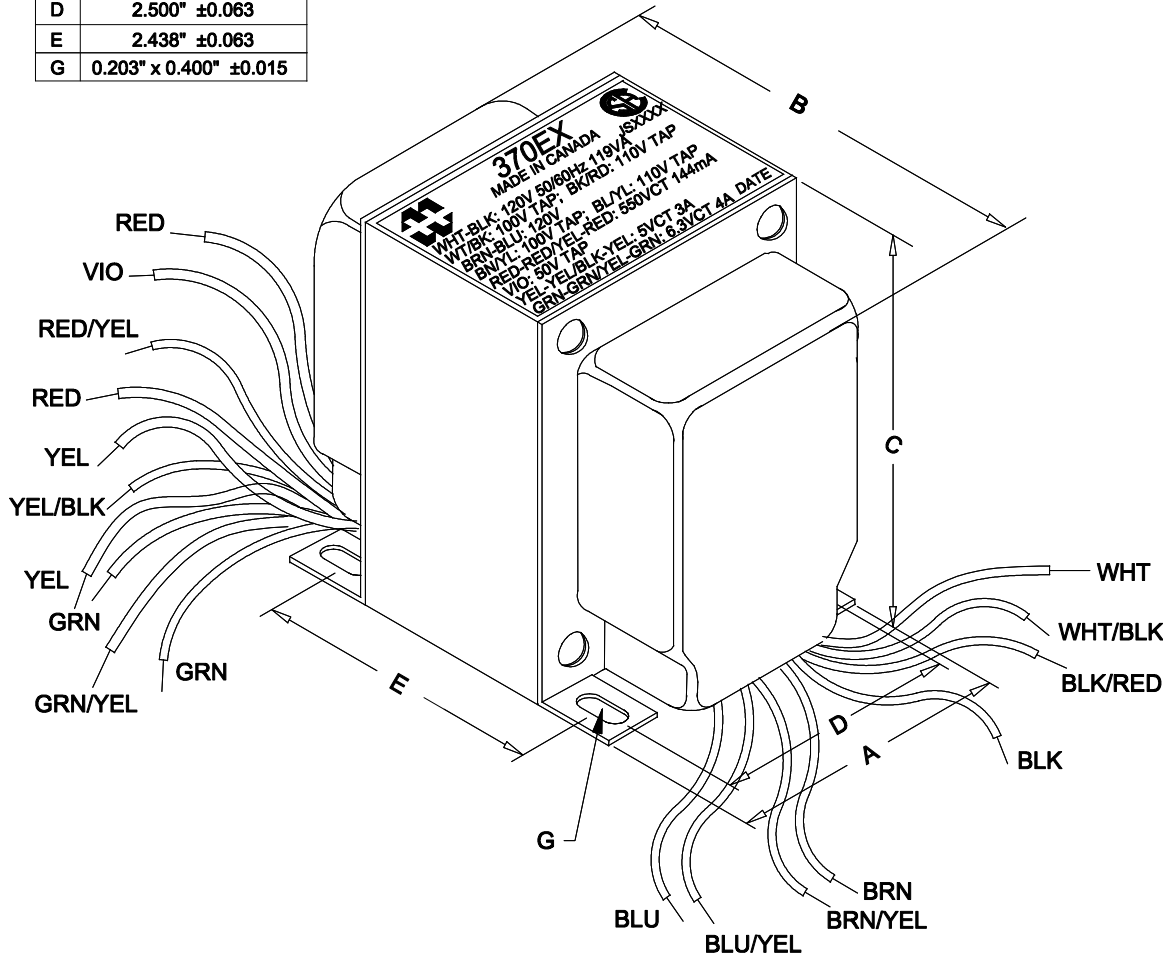
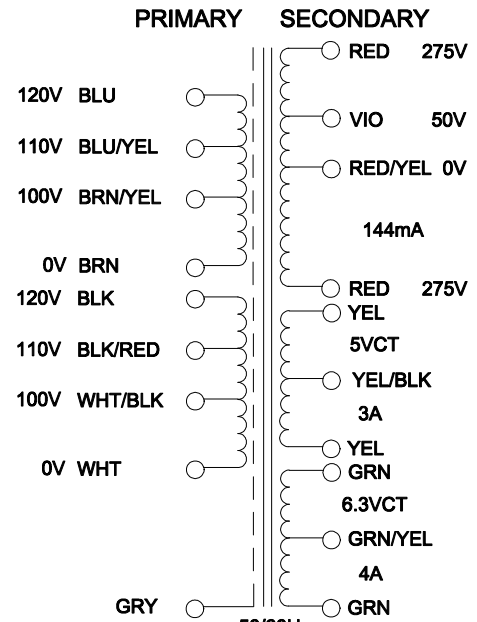


DIMENSIONS:	
A	3.125" ±0.063
B	3.750" ±0.125
C	3.810" ±0.063
D	2.500" ±0.063
E	2.438" ±0.063
G	0.203" x 0.400" ±0.015



NOTE: ALL LEADS 8" OUT MIN. STRIPPED 0.5"



SECONDARY RATED VOLTAGES UNDER LOAD

GRY - ELECTROSTATIC SHIELD 50/60Hz

ELECTRICAL DATA:			
TESTS	CONDITIONS	ACCEPTANCE CRITERIA	
Iex	@ 120V, 60Hz, WHT - BLK	236.4mA	Max.
Sec. N.L.V	@ 120V, 60Hz, WHT - BLK		
	RED - RED =	595.2V	±2%
	RED - RED/YEL = RED/YEL - RED =	297.6V	±2%
	RED/YEL - VIO =	50.06V	±2%
	YEL - YEL =	5.486V	±2%
	YEL - YEL/BLK = YEL/BLK - YEL =	2.743V	±2%
	GRN - GRN =	6.857V	±2%
	GRN - GRN/YEL = GRN/YEL - GRN =	3.429V	±2%
DCR	@ 20°C, WHT - BLK =	5.843 Ω	±20%
	@ 20°C, BRN - BLU =	6.294 Ω	±20%
	@ 20°C, RED - RED =	138.1 Ω	±20%
	@ 20°C, YEL - YEL =	0.067 Ω	±20%
	@ 20°C, GRN - GRN =	0.055 Ω	±20%
HIPOT	PRIMARY - SECONDARY	2500V, 60Hz, 1 SEC	

REV.#	REVISION	DATE
0	RELEASED.	08/09/12

HAMMOND MANUFACTURING™ ELECTRONIC DIVISION
 52 RANKIN PLACE, WATERLOO, ONTARIO, N2J 3Z5
 PH # (519) 886-6181 FAX # (519) 886-9540

DWG. BY: C. ILIE	CHK'D BY:	TITLE: POWER TRANSFORMER	DWG. NO. 370EX
DATE: 08/09/12	APP'D. BY:		
	DIMENSIONS: IN(X) MM()		