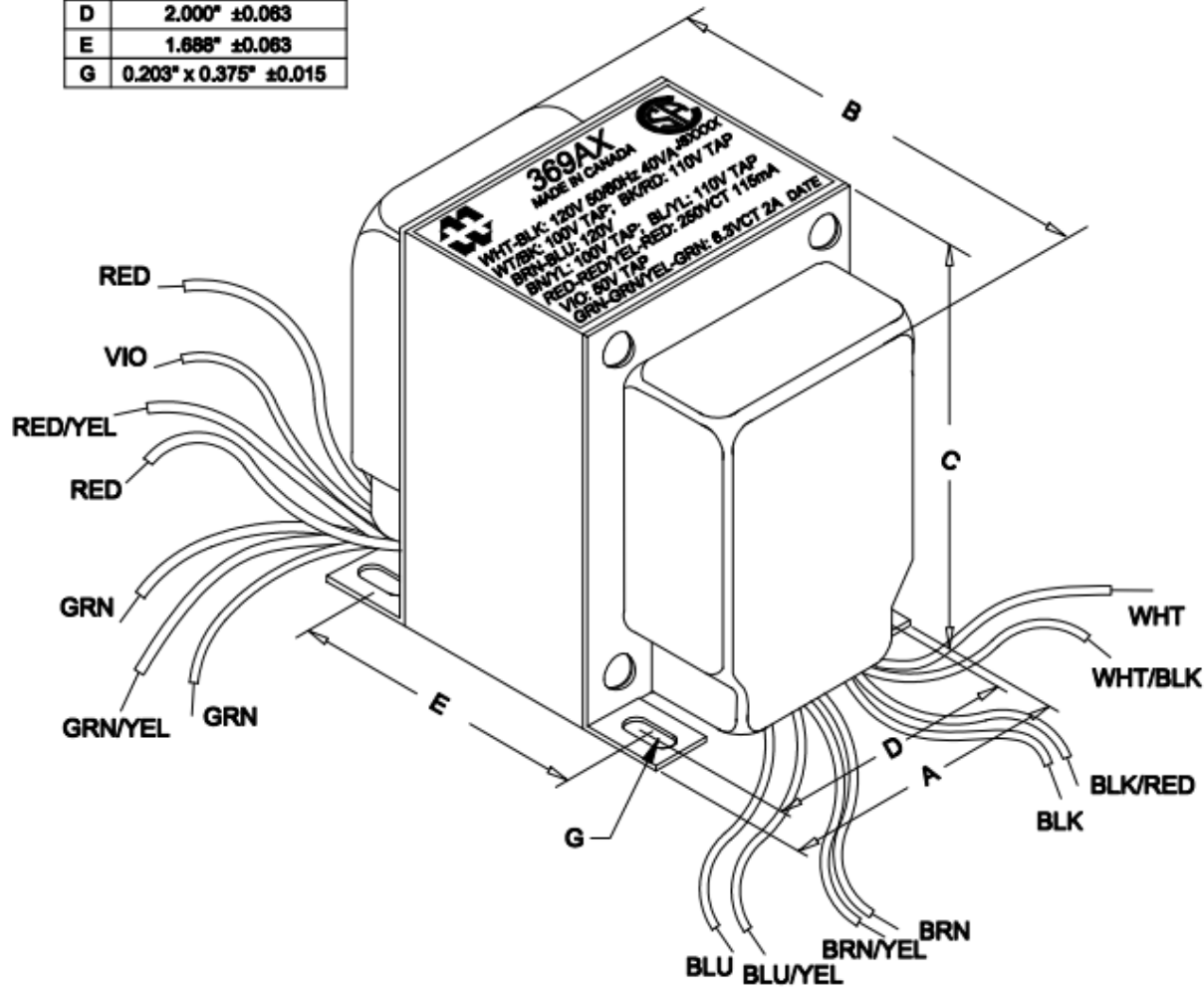
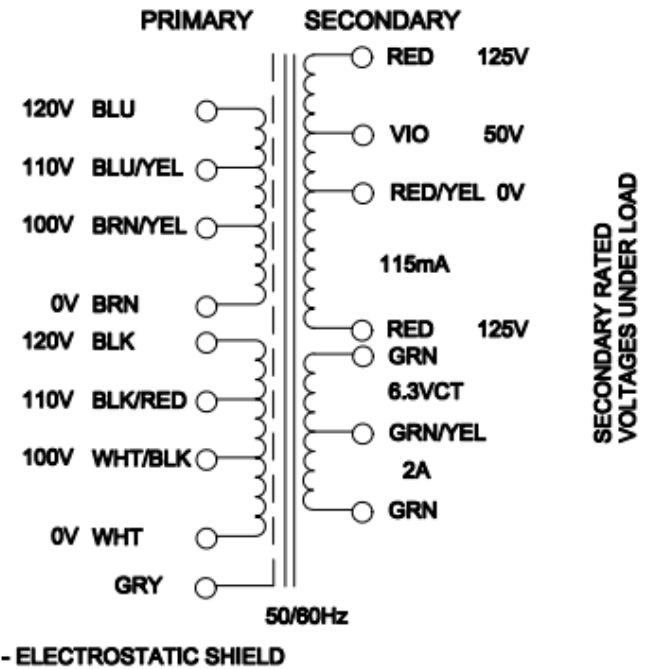


**DIMENSIONS:**

A	2.500" ±0.063
B	2.750" ±0.125
C	3.080" ±0.063
D	2.000" ±0.063
E	1.688" ±0.063
G	0.203" x 0.375" ±0.015



NOTE: ALL LEADS 8" OUT MIN. STRIPPED 0.5"



**ELECTRICAL DATA:**

TESTS	CONDITIONS	ACCEPTANCE CRITERIA	
I <sub>ex</sub>	@ 120V, 60Hz, WHT - BLK	80mA	Max.
Sec. N.L.V	@ 120V, 60Hz, WHT - BLK		
	RED - RED =	270.4V	±2%
	RED - RED/YEL = RED/YEL - RED =	135.2V	±2%
	RED/YEL - VIO =	50.06V	±2%
	GRN - GRN =	7.013V	±2%
	GRN - GRN/YEL = GRN/YEL - GRN =	3.506V	±2%
DCR	@ 20°C, WHT - BLK =	19.45 Ω	±20%
	@ 20°C, BRN - BLU =	21.36 Ω	±20%
	@ 20°C, RED - RED =	86.39 Ω	±20%
	@ 20°C, GRN - GRN =	0.189 Ω	±20%
HIPOT	PRIMARY - SECONDARY	2500V, 60Hz, 1 SEC	