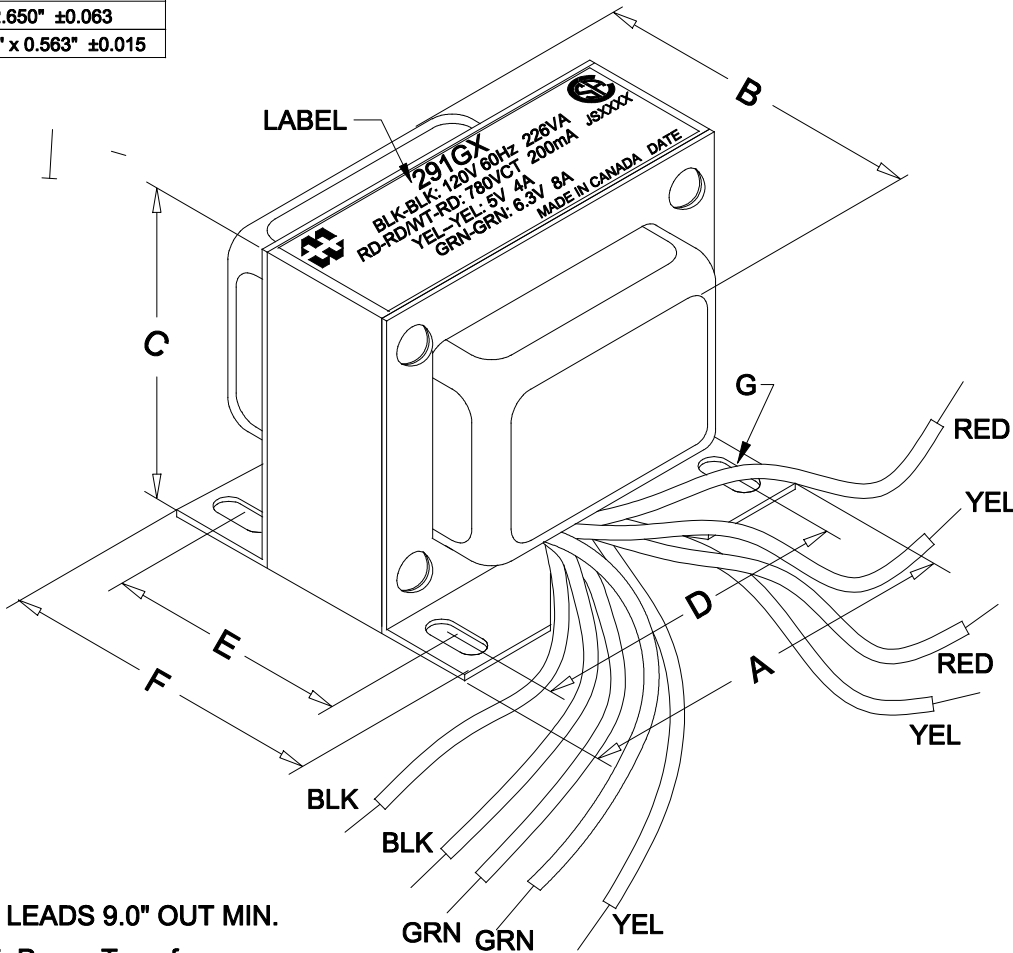
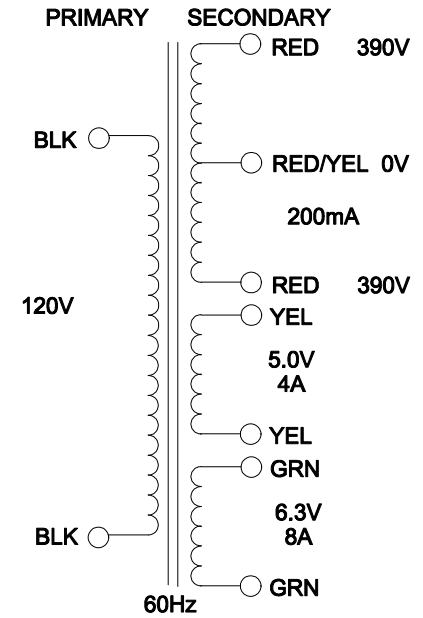


DIMENSIONS:	
A	4.500" ±0.063
B	4.000" ±0.125
C	3.750" ±0.063
D	3.750" ±0.063
E	2.650" ±0.063
G	0.281" x 0.563" ±0.015



NOTE: ALL LEADS 9.0" OUT MIN.  
Ampeg B25, Power Transformer



ELECTRICAL DATA:		
TESTS	CONDITIONS	ACCEPTANCE CRITERIA
I <sub>ex</sub>	@ 120V, 60Hz, WHT - BLK	353mA Max.
Sec. N.L.V	@ 120V, 60Hz, WHT - BLK	
	RED - RED/WHT = RED/WHT - RED =	407.0V ±2%
	ORG - ORG =	10.76V ±2%
	GRN - GRN =	6.621V ±2%
DCR	@ 20°C, BLK - BLK =	1.200 Ω ±20%
	@ 20°C, RED - RED =	77.00 Ω ±20%
	@ 20°C, ORG - ORG =	0.050 Ω ±20%
	@ 20°C, GRN - GRN =	0.040 Ω ±20%
HIPOT	PRIMARY - SECONDARY	2000V, 60Hz, 1 SEC

REV.#	REVISION	DATE	HAMMOND ELECTRONIC DIVISION		52 RANKIN PLACE, WATERLOO, ONTARIO, N2J 3Z5		PH # (519) 886-6181
0	Proposed	D.H 11/13/18	MANUFACTURING™				FAX # (519) 886-9540
			DWG. BY: D.Hutt	CHK'D BY:	TITLE:	DWG. NO.	
			DATE: 01/21/19	APP'D. BY:	POWER TRANSFORMER	291GX	
				DIMENSIONS: IN(X) MM( )			