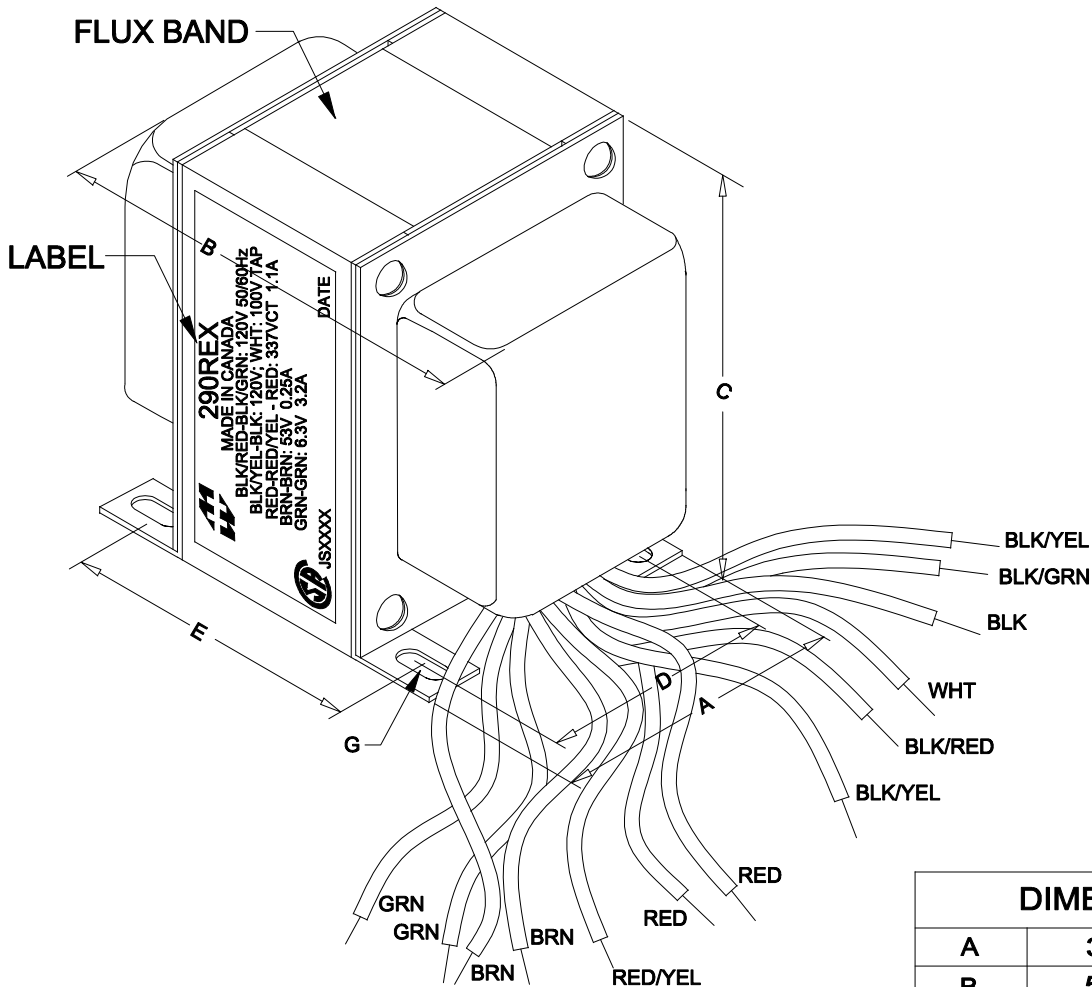
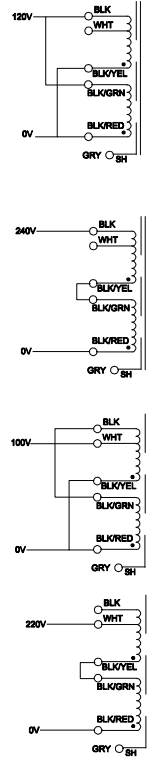


290REX

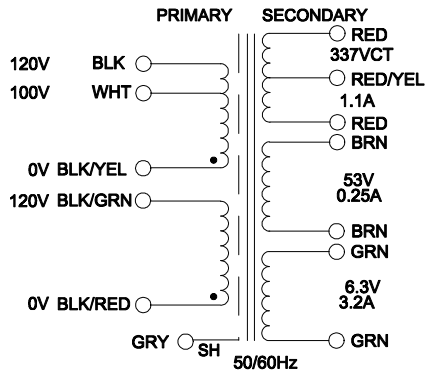


PRIMARY CONNECTIONS AS SHOWN



NOTE: ALL LEADS 9" OUT MIN., STRIPPED .5"

DIMENSIONS:	
A	3.750" ±0.063
B	5.625" ±0.125
C	4.750" ±0.063
D	3.000" ±0.063
E	4.188" ±0.063
G	0.281X 0.564"



ELECTRICAL DATA:	
Exciting Current	@ 120V, 60Hz, BLK/RED - BLK/GRN = 160mA Max.
DCR	@ 20C, BLK/RED - BLK/GRN = 1.153 Ω ±20%
	@ 20C, BLK/YEL - BLK = 1.022 Ω ±20%
	@ 20C, RED - RED = 4.543 Ω ±20%
	@ 20C, GRN - GRN = 0.038 Ω ±20%
	@ 20C, BRN - BRN = 1.576 Ω ±20%
Sec. Voltage (RMS)	337VCT @ 1.10 A , 6.3V @ 3.2 A, 53V@ 0.250A, 120V-Pr
No Load Voltage	351.0VCT/ 6.66V/55.50 V

HAMMOND MANUFACTURING
 52 RANKIN PLACE,
 WATERLOO, ONTARIO, N2L 3Z5.
 PHONE (519) 886-6181
 FAX # (519) 886-9540

TITLE				290REX
POWER TRANSFORMER				
			DR BY D.H.	
0	03/19/18	Released	DATE 03/19/18	
NO	DATE	REVISION	DIM IN(X)MM ()	