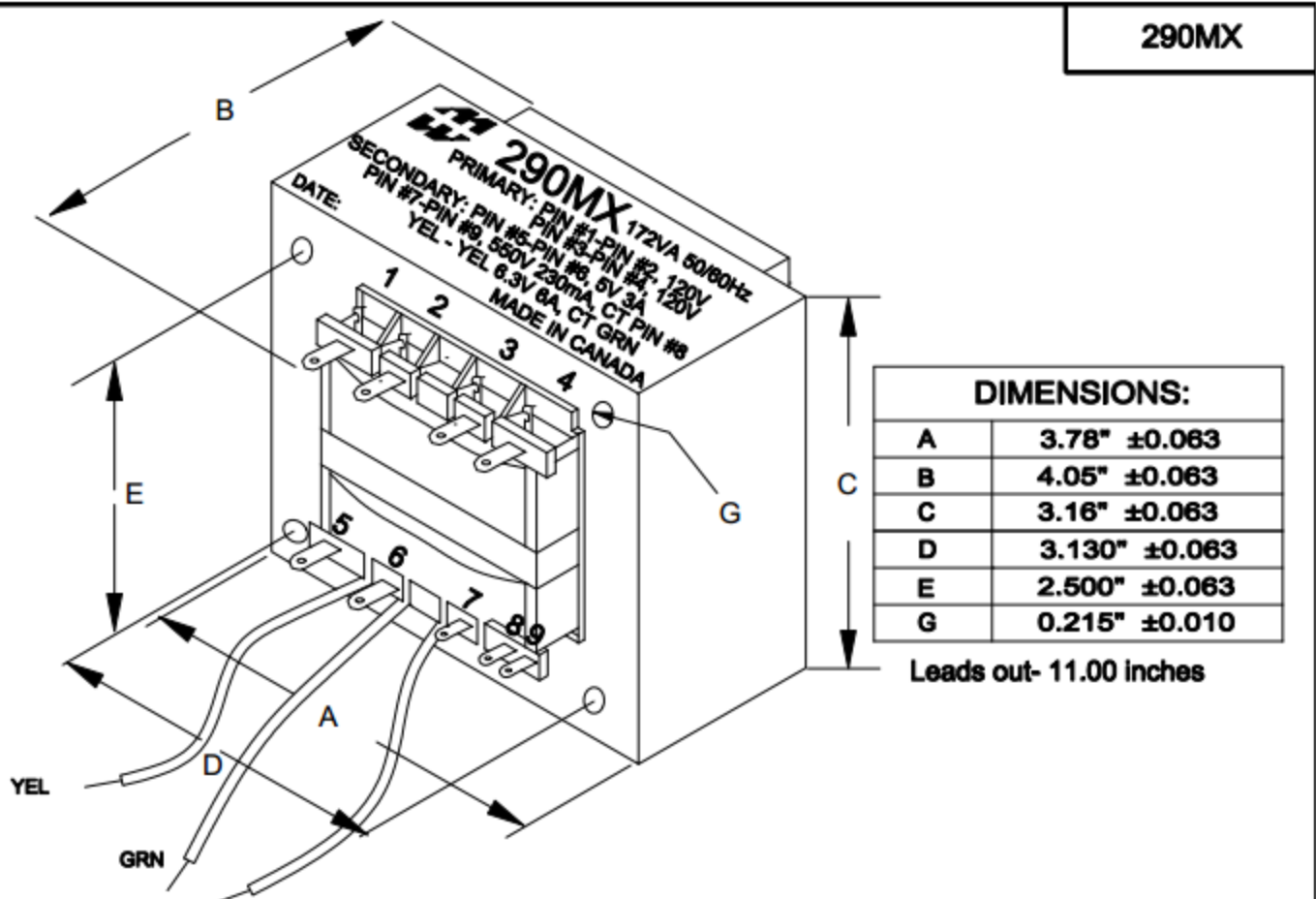
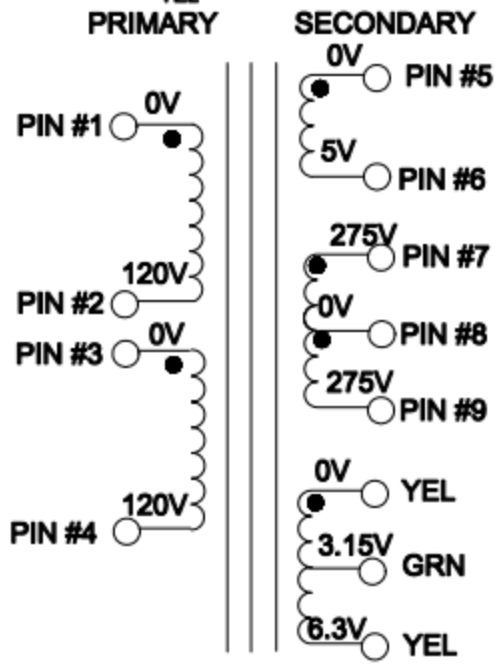


290MX



DIMENSIONS:	
A	3.78" ±0.063
B	4.05" ±0.063
C	3.16" ±0.063
D	3.130" ±0.063
E	2.500" ±0.063
G	0.215" ±0.010

Leads out- 11.00 inches



ELECTRICAL DATA:

Turns ratio:	1 : 5.15 (PIN7 - PIN9)
Exciting Current	@ 120V, 60Hz, Pin 1 - Pin 2 = 225.6 mA Max.
DCR	@ 25C, Pin 1 - Pin 2 = 3.810 Ω ±20%
	@ 25C, Pin 3 - Pin 4 = 4.251 Ω ±20%
	@ 25C, Pin 5 - Pin 6 = 0.038 Ω ±20%
	@ 25C, Pin 7 - Pin 9 = 79.6 Ω ±20%
	@ 25C, YEL - YEL = 0.024 Ω ±20%
Pri. Voltage	120V/120V 50/60Hz
Sec. Voltage (RMS)	550VCT @ 230mA/5VCT @ 3A/6.3VCT @ 8A
No Load Voltage	617.45V / 5.45V / 6.54V