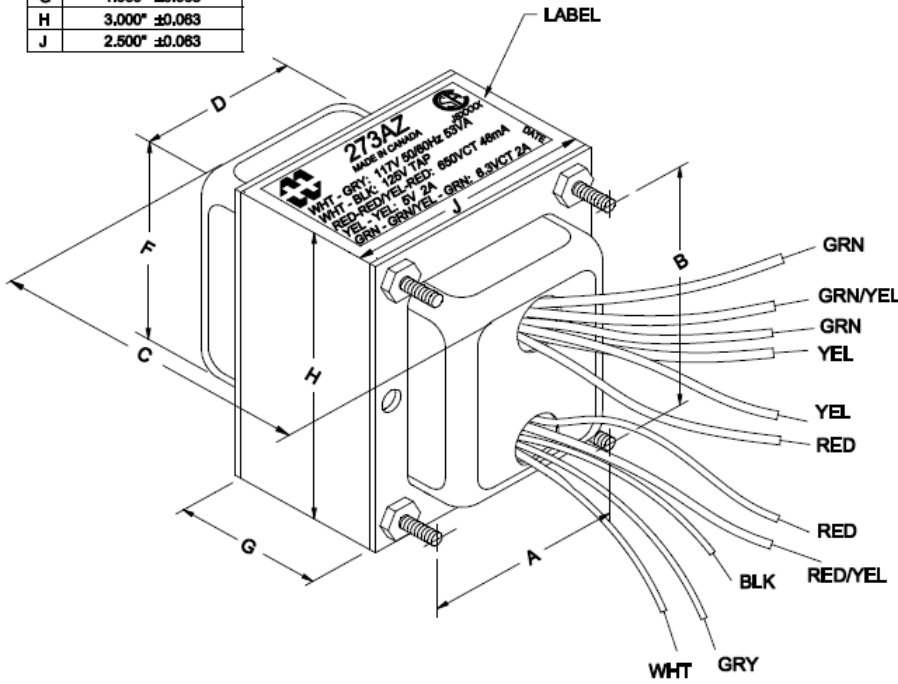
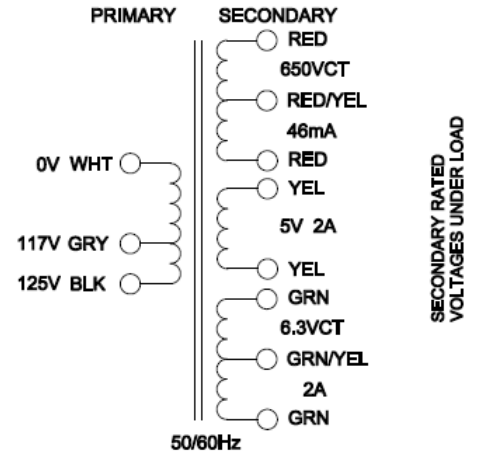


DIMENSIONS:	
A	2.000" ±0.063
B	2.500" ±0.063
C	2.813" ±0.125
D	1.750" ±0.063
F	2.125" ±0.063
G	1.060" ±0.063
H	3.000" ±0.063
J	2.500" ±0.063



NOTE: ALL LEADS 6" OUT MIN. STRIPPED 0.5"



ELECTRICAL DATA:		
TESTS	CONDITIONS	ACCEPTANCE CRITERIA
I _{ex}	@ 125V, 60Hz, WHT - BLK	182.4mA Max.
Sec. N.L.V	@ 125V, 60Hz, WHT - BLK	
	RED - RED =	716.0V ±2%
	RED - RED/YEL = RED/YEL - RED =	358.0V ±2%
	YEL - YEL =	5.800V ±2%
	GRN - GRN/YEL = GRN/YEL - GRN =	3.400V ±2%
	GRN - GRN =	6.800V ±2%
DCR	@ 20°C, WHT - BLK =	10.26 Ω ±20%
	@ 20°C, RED - RED =	860.7 Ω ±20%
	@ 20°C, YEL - YEL =	0.115 Ω ±20%
	@ 20°C, GRN - GRN =	0.141 Ω ±20%
HIPOT	PRIMARY - SECONDARY	2500V, 60Hz, 1 SEC