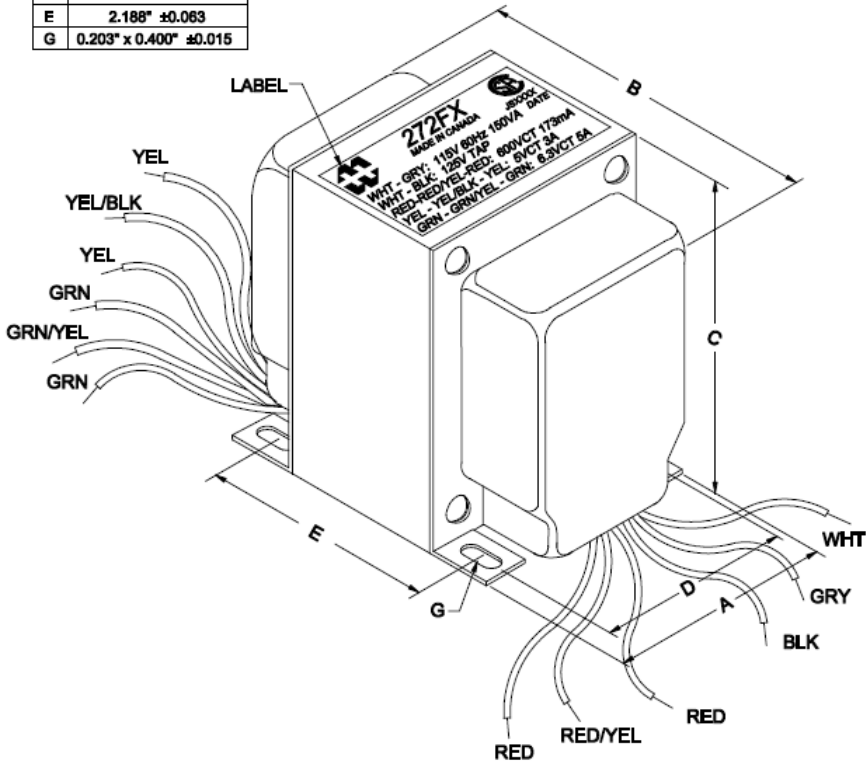
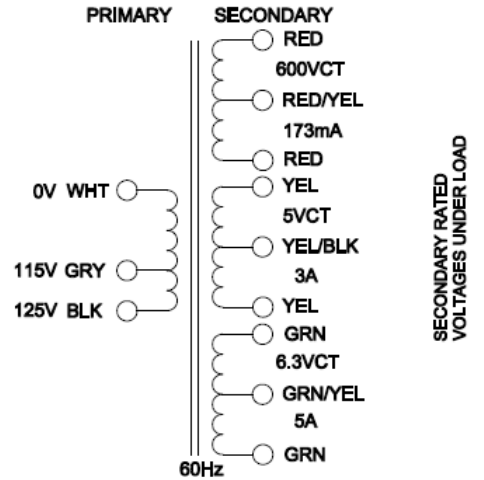


DIMENSIONS:	
A	3.125" ±0.063
B	3.438" ±0.125
C	3.800" ±0.063
D	2.500" ±0.063
E	2.188" ±0.063
G	0.203" x 0.400" ±0.015



NOTE: ALL LEADS 6" OUT MIN. STRIPPED 0.5"



ELECTRICAL DATA:		
TESTS	CONDITIONS	ACCEPTANCE CRITERIA
I _{ex}	@ 125V, 60Hz, WHT - BLK	239mA Max.
Sec. N.L.V	@ 125V, 60Hz, WHT - BLK	
	RED - RED =	654.3V ±2%
	RED - RED/YEL = RED/YEL - RED =	327.1V ±2%
	YEL - YEL =	5,510V ±2%
	YEL - YEL/BLK = YEL/BLK - YEL =	2,755V ±2%
	GRN - GRN =	6,887V ±2%
	GRN - GRN/YEL = GRN/YEL - GRN =	3,444V ±2%
DCR	@ 20°C, WHT - BLK =	2.619 Ω ±20%
	@ 20°C, RED - RED =	102.9 Ω ±20%
	@ 20°C, YEL - YEL =	0.063 Ω ±20%
	@ 20°C, GRN - GRN =	0.042 Ω ±20%
HIPOT	PRIMARY - SECONDARY	2000V, 60Hz, 1 SEC