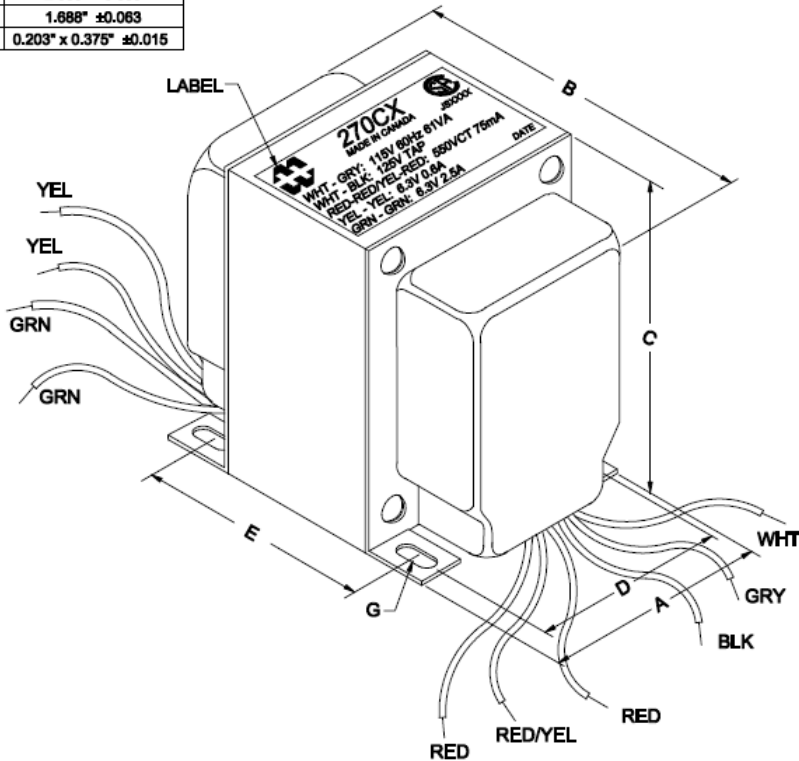
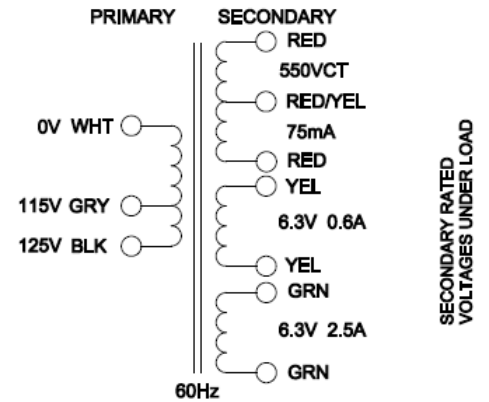


**DIMENSIONS:**

A	2.500" ±0.063
B	2.685" ±0.125
C	3.080" ±0.063
D	2.000" ±0.063
E	1.688" ±0.063
G	0.203" x 0.375" ±0.015



NOTE: ALL LEADS 6" OUT MIN. STRIPPED 0.5"



**ELECTRICAL DATA:**

TESTS	CONDITIONS	ACCEPTANCE CRITERIA
Iex	@ 125V, 60Hz, WHT - BLK	188.4mA Max.
Sec. N.L.V	@ 125V, 60Hz, WHT - BLK	
	RED - RED =	611.7V ±2%
	RED - RED/YEL = RED/YEL - RED =	305.9V ±2%
	YEL - YEL =	7.012V ±2%
	GRN - GRN =	7.012V ±2%
DCR	@ 20°C, WHT - BLK =	7.384 Ω ±20%
	@ 20°C, RED - RED =	339.5 Ω ±20%
	@ 20°C, YEL - YEL =	0.430 Ω ±20%
	@ 20°C, GRN - GRN =	0.074 Ω ±20%
HIPOT	PRIMARY - SECONDARY	2000V, 60Hz, 1 SEC