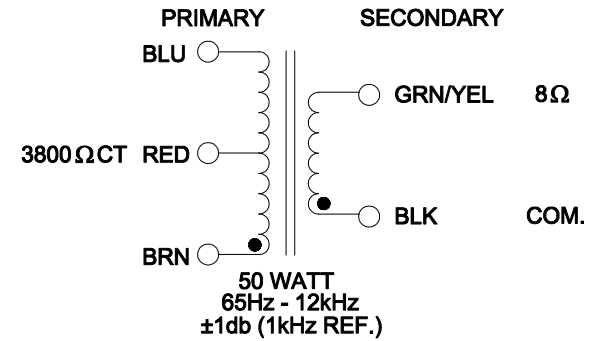
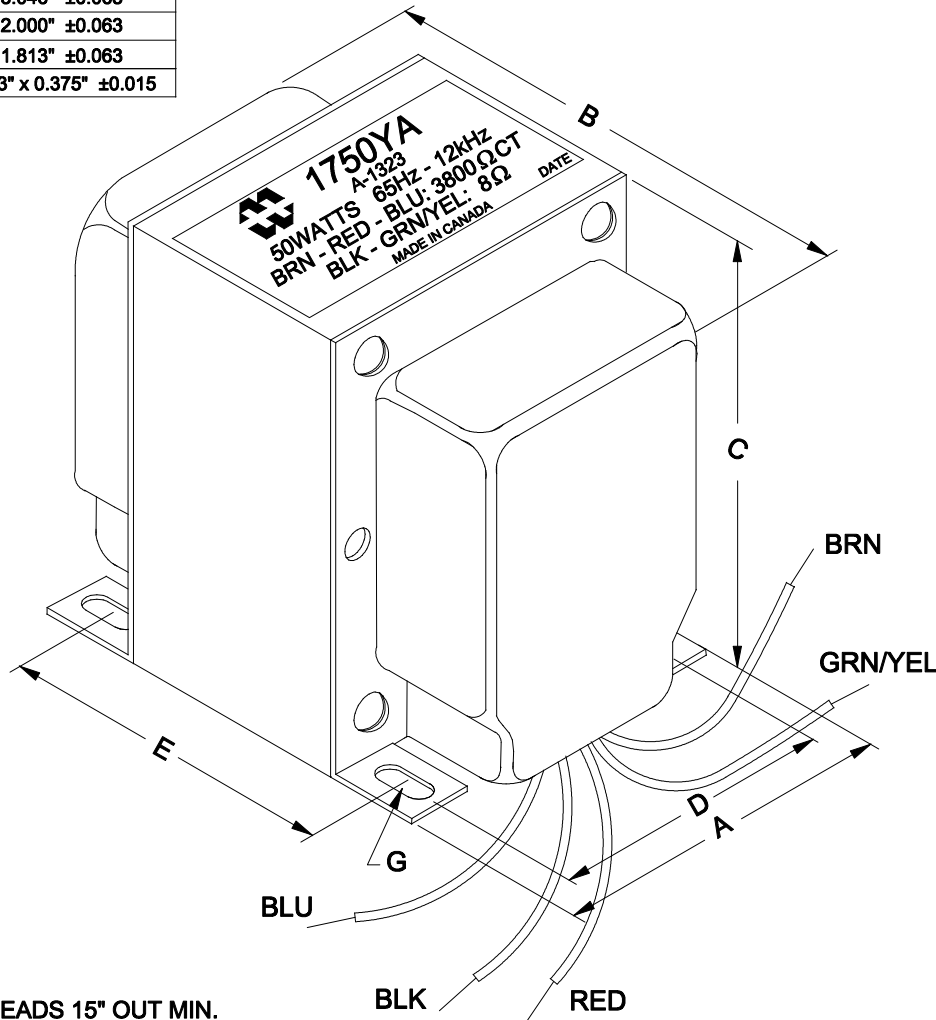


DIMENSIONS:	
A	2.500" ±0.063
B	2.813" ±0.125
C	3.046" ±0.063
D	2.000" ±0.063
E	1.813" ±0.063
G	0.203" x 0.375" ±0.015



NOTE: ALL LEADS 15" OUT MIN.

ELECTRICAL DATA:		
TESTS	CONDITIONS	ACCEPTANCE CRITERIA
Iex	@ 436V, 60Hz, BRN - BLU	15.6mA Max.
Sec. N.L.V	@ 436V, 60Hz, BRN - BLU	
	BRN - RED = RED - BLU =	218.0V ±2%
	BLK - GRN/YEL =	20.62V ±2%
DCR	@ 20°C, BRN - RED =	68.01 Ω ±20%
	@ 20°C, RED - BLU =	74.80 Ω ±20%
	@ 20°C, BLK - GRN/YEL =	0.644 Ω ±20%
HIPOT	PRIMARY - SECONDARY	2000V, 60Hz, 1 SEC

REV.#	REVISION	DATE	HAMMOND ELECTRONIC DIVISION	
0	RELEASED.	C.I. 06/05/19	52 RANKIN PLACE, WATERLOO, ONTARIO, N2J 3Z5	
			PH # (519) 886-6181	FAX # (519) 886-9540
			DWG. BY: C. ILIE	CHK'D BY:
			DATE: 06/05/19	APP'D. BY:
			DIMENSIONS: IN(X) MM()	TITLE: A-1323 AUDIO OUTPUT TRANSFORMER
				DWG. NO. 1750YA