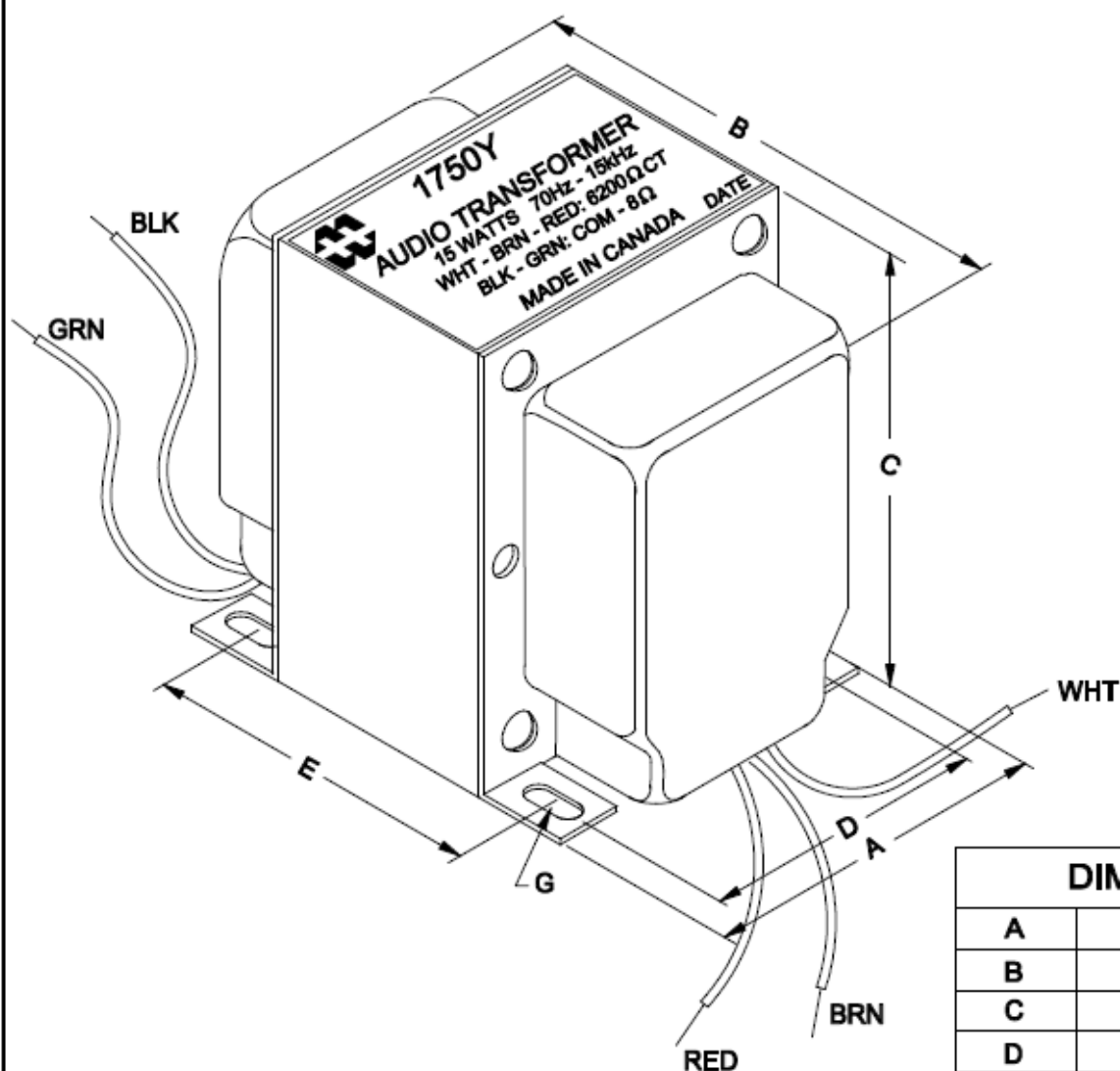


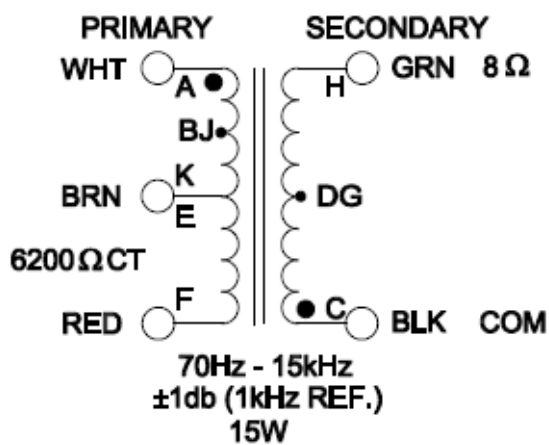
1750Y



NOTE: ALL LEADS 18.0" OUT MIN., STRIPPED .5"

DIMENSIONS:

A	2.500" ± 0.063
B	3.328" ± 0.125
C	3.060" ± 0.063
D	1.875" ± 0.063
E	2.376" ± 0.063
G	0.185" X 0.370" ± 0.015



ELECTRICAL DATA:

Turns ratio:	27.87 : 1
Inductance	@240V, 60Hz => 21.22H (Open circuit)
DCR	@ 20C, WHT - RED = 289.0 Ω $\pm 20\%$ @ 20C, BLK - GRN = 0.480 Ω $\pm 20\%$
FREQ. RESP	@ 15W (305V), 70Hz - 15kHz, WHT - RED ± 1 db (1kHz Ref.)
Pri. Impedance	6200 Ω CT (305V)
Sec. Impedance	8 Ω (10.95V)
Power	15 WATTS