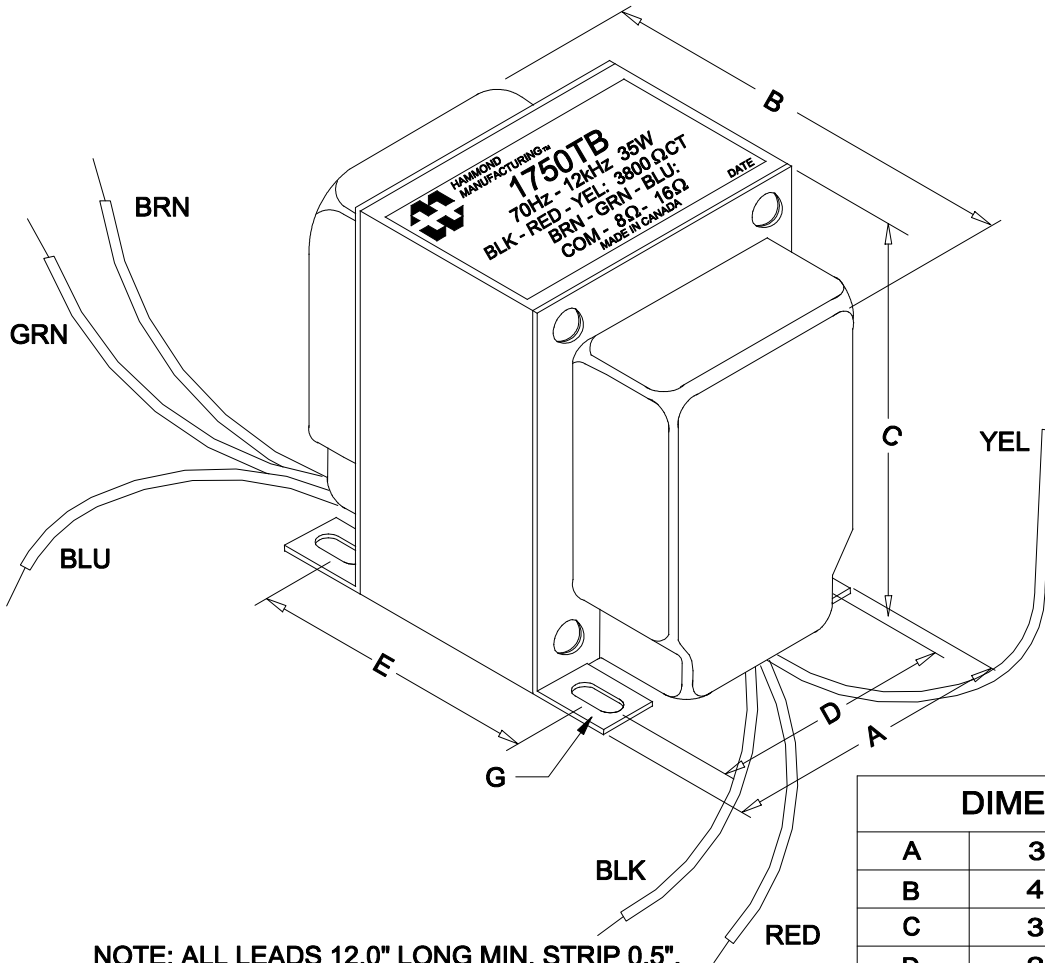


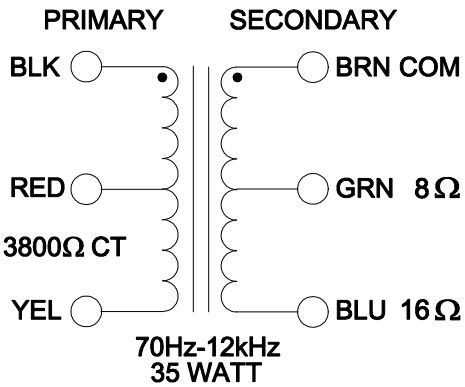
1750TB



NOTE: ALL LEADS 12.0" LONG MIN. STRIP 0.5".

**DIMENSIONS:**

A	3.125" ±0.063
B	4.186" ±0.125
C	3.796" ±0.063
D	2.500" ±0.063
E	2.938" ±0.063
G	0.203" X 0.400" ±0.015



**ELECTRICAL DATA:**

Turns ratio:	15.43 : 1
Inductance	@240V,60Hz =>21.22H (Open circuit)
DCR	@ 20C, BLK- YEL =123.0 Ω ±20% @ 20C, BRN - BLU =0.491 Ω ±20%
FREQ. RESP	@ 35W (365V), 70Hz - 15kHz, ±1db (1kHz Ref.)
Pri. Impedance	3800 Ω CT (365V)
Sec. Impedance	8 Ω (10.95V) BRN-GRN, 16 Ω (23.66V) BRN-BLU
Power	35 WATTS



52 RANKIN PLACE,  
WATERLOO, ONTARIO, N2L 3Z5.  
PHONE (519) 886-6181  
FAX # (519) 886-9540

TITLE

OUTPUT TRANSFORMER

			DR BY D.H.
			DATE 09/21/18
NO	DATE	REVISION	DIM IN(X)MM( )

1750TB