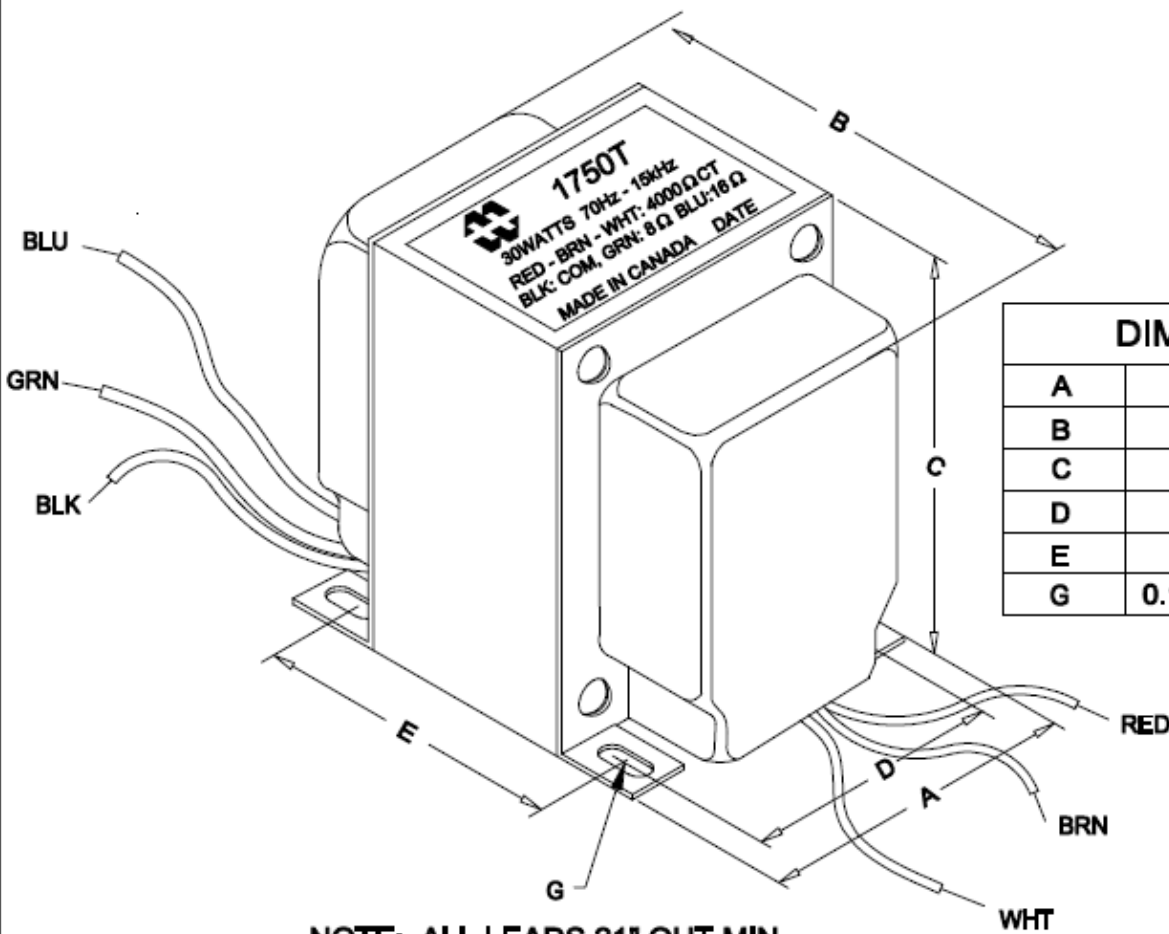
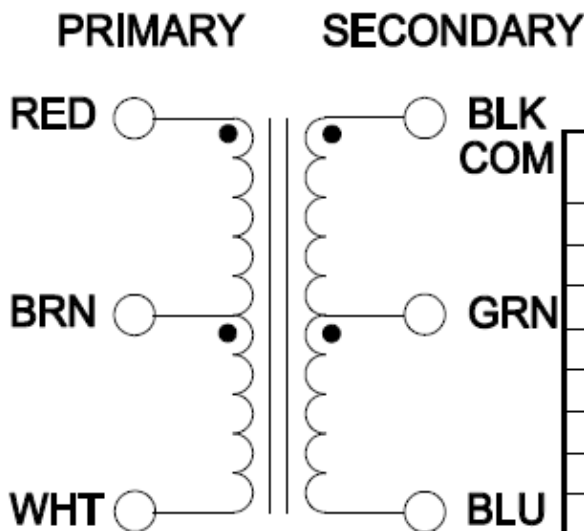


1750T



DIMENSIONS:	
A	3.125" ±0.063
B	3.810" ±0.125
C	3.800" ±0.063
D	2.500" ±0.063
E	2.300" ±0.063
G	0.188" x 0.406" ±0.015

NOTE: ALL LEADS 21" OUT MIN



ELECTRICAL DATA:	
Turns ratio:	15.86 : 1
Inductance	@120V, 70Hz => 6.82H (Open circuit)
DCR	@ 20°C, RED - BRN = 54.0Ω ±20%
	@ 20°C, BRN - WHT = 80.0Ω ±20%
	@ 20°C, BLK - GRN = 0.35Ω ±20%
	@ 20°C, GRN - BLU = 0.17Ω ±20%
FREQ. RESP	@ 30W, 70Hz - 15kHz REF. TO 1kHz ±1dB
Pri. Impedance	4000 ΩCT (346V)
Sec. Impedance	8Ω (15.49V), 16Ω (21.91V)
Power	30 WATTS