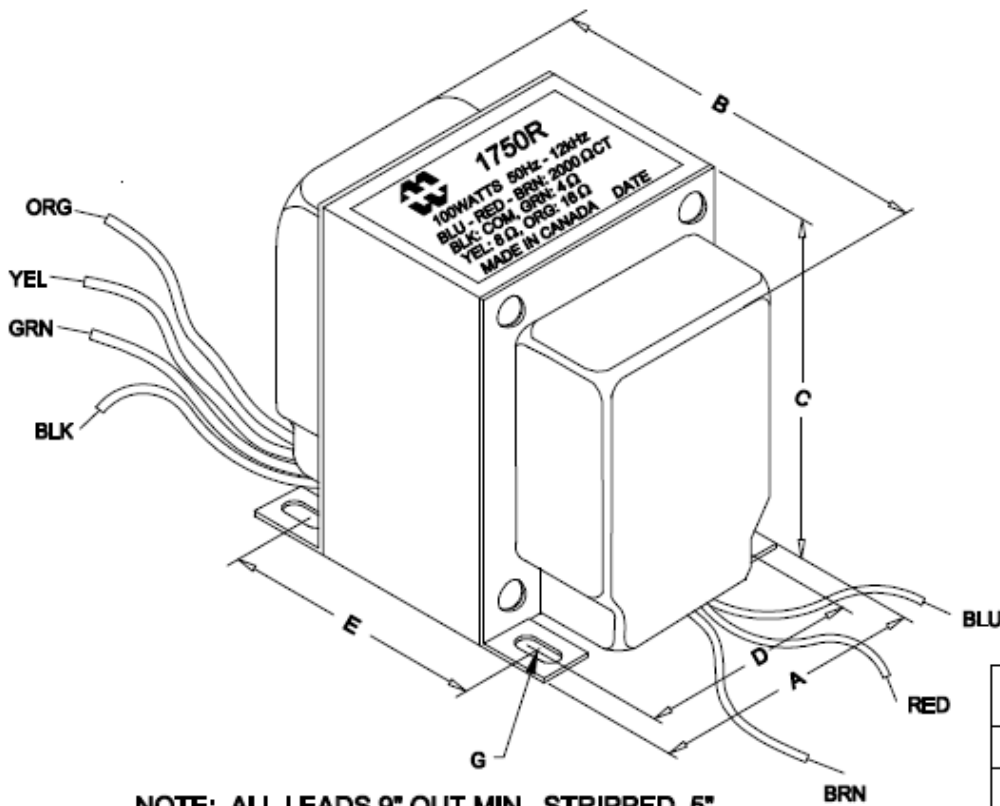


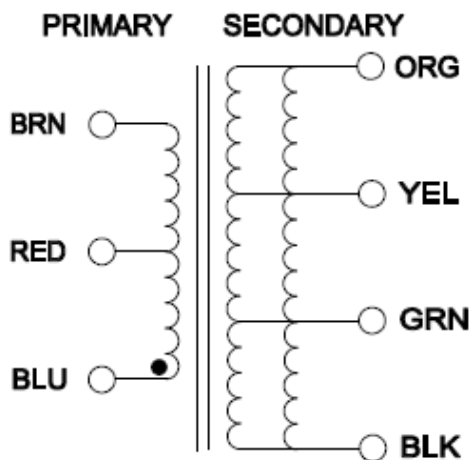
1750R



NOTE: ALL LEADS 9" OUT MIN., STRIPPED .5"

DIMENSIONS:

| | |
|---|-----------------------|
| A | 3.750" ±0.063 |
| B | 3.936" ±0.125 |
| C | 4.560" ±0.063 |
| D | 3.000" ±0.063 |
| E | 2.813" ±0.063 |
| F | 3.125" ±0.063 |
| G | 0.203"X 0.375" ±0.015 |



ELECTRICAL DATA:

| | |
|----------------|--|
| Turns ratio: | 11.11 : 1 |
| Inductance | @240V,50Hz =>53.05H (Open circuit) |
| DCR | @ 20C, BLU - BRN =25.72 Ω ±20% |
| | @ 20C, BLU - RED = RED - BRN =12.86 Ω ±20% |
| | @ 20C, BLK - ORG =0.222 Ω ±20% |
| FREQ. RESP | @ 100W (447.2V), 50Hz-12kHz, BLU - BRN±1db (1kHz Ref.) |
| Pri. Impedance | 2000 Ω CT (447.2V) |
| Sec. Impedance | 4 Ω (20V 5A) / 8 (28.28V 3.536A) / 16 (40V 2.5A) |
| Power | 100 WATTS |