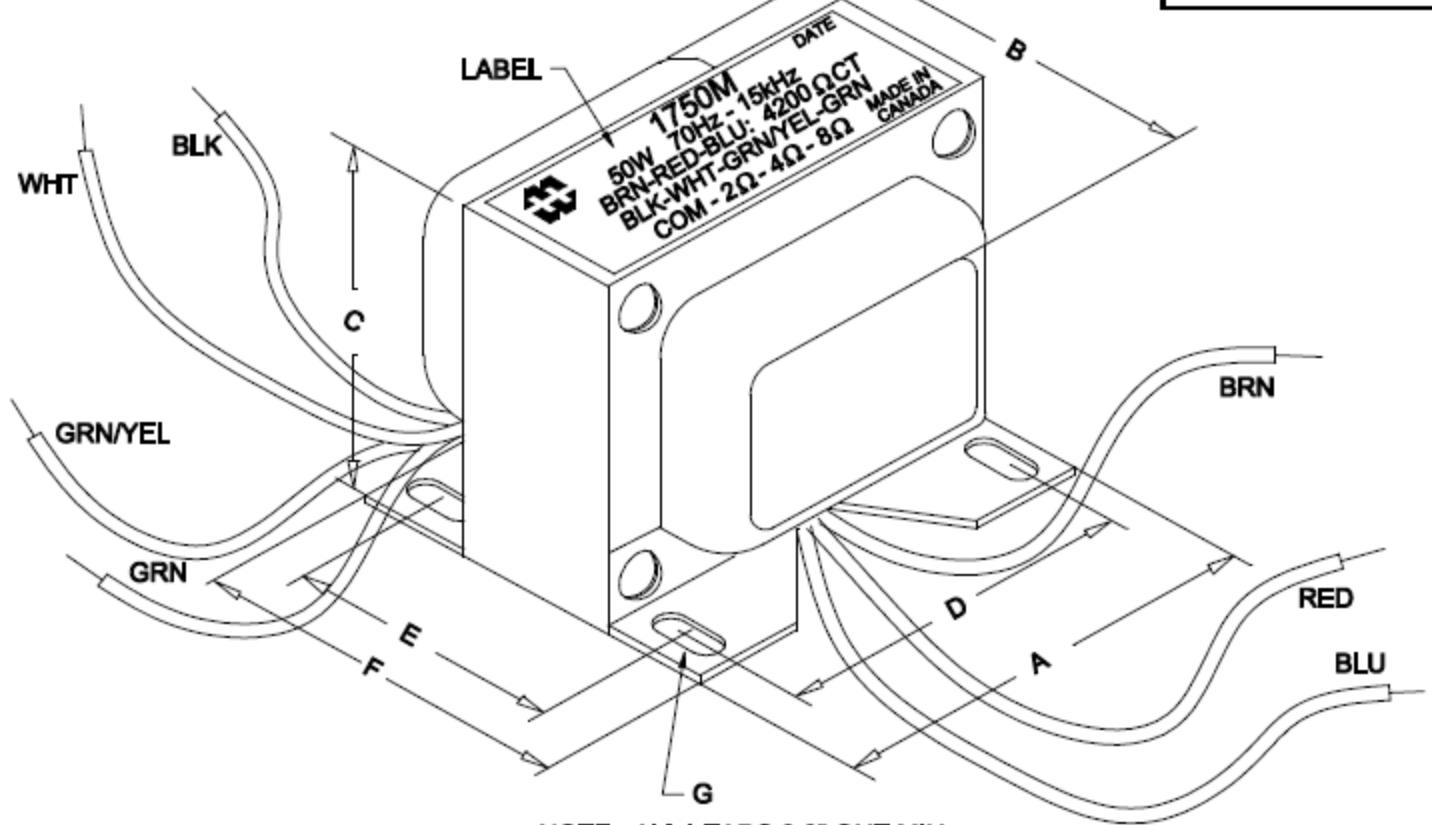


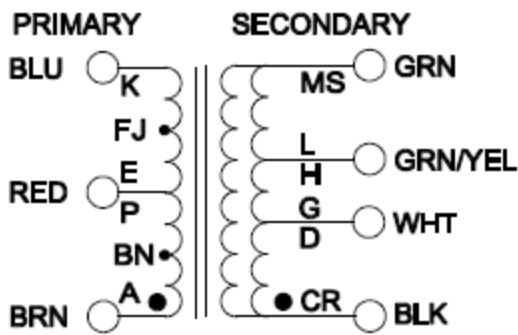
1750M



NOTE: ALL LEADS 9.0" OUT MIN.

DIMENSIONS:

A	4.050" ±0.063
B	3.050" ±0.125
C	3.500" ±0.063
D	3.500" ±0.063
E	2.000" ±0.063
F	2.510" ±0.063
G	0.187"X0.300" ±0.015



ELECTRICAL DATA:

Turns ratio:	22.93 : 1 (8 Ω)
Inductance	@240V,60Hz =>106.10H (Open circuit)
DCR	@ 20C, BLU - BRN = 68.0 Ohm ±20%
	@ 20C, BLK-GRN = 0.160 Ohm ±20%
FREQ. RESP	@50W, 70Hz-15kHz, BRN-BLU ±1db (Ref. 1kHz)
Pri. Impedance	4200Ω (458V) CT
Sec. Impedance	2Ω/4Ω/8Ω (10V/14.14V/20V)
Power	50 WATTS