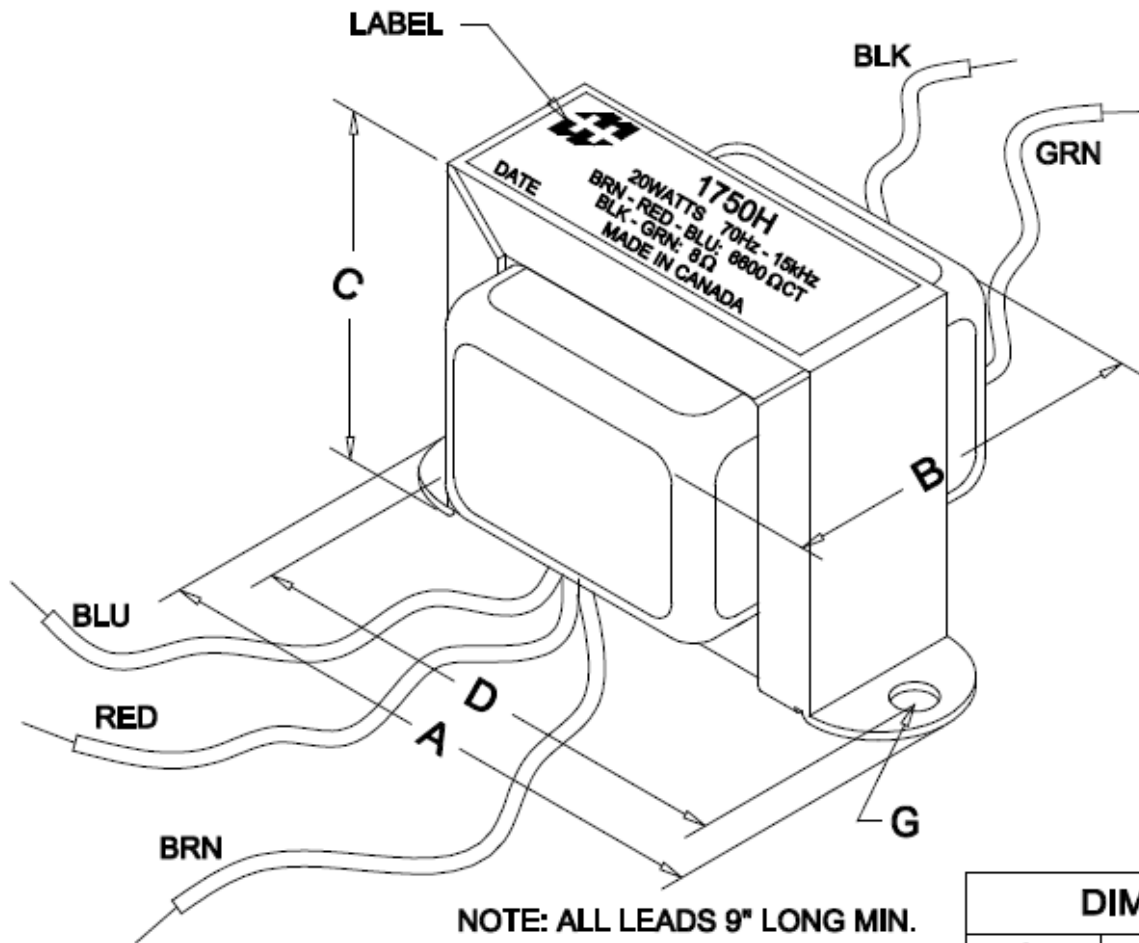
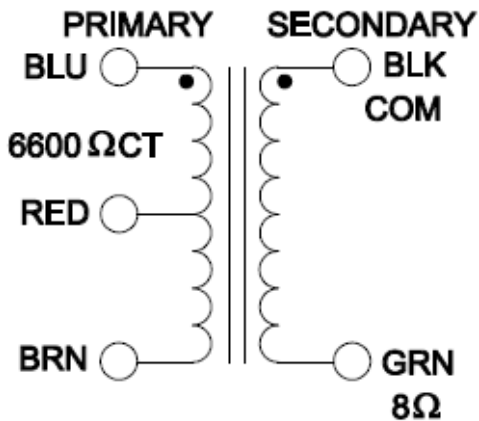


1750H



DIMENSIONS:

A	3.710" ±0.063
B	2.400" ±0.125
C	2.308" ±0.063
D	3.130" ±0.063
G	0.187" ±0.015



ELECTRICAL DATA:

Turns ratio:	50,00 : 1
Inductance	@ 250V, 60Hz =>94.74H (Open circuit)
DCR	@ 20°C, BLU - BRN =428Ω ±20%
	@ 20°C, BLK - GRN =0.47Ω ±20%
FREQ. RESP	@ 20W, 70Hz - 15kHz = BLU - BRN ±1dB (1kHz Ref.)
PrL Impedance	6600Ω
Sec. Impedance	8Ω
Power	20 WATTS