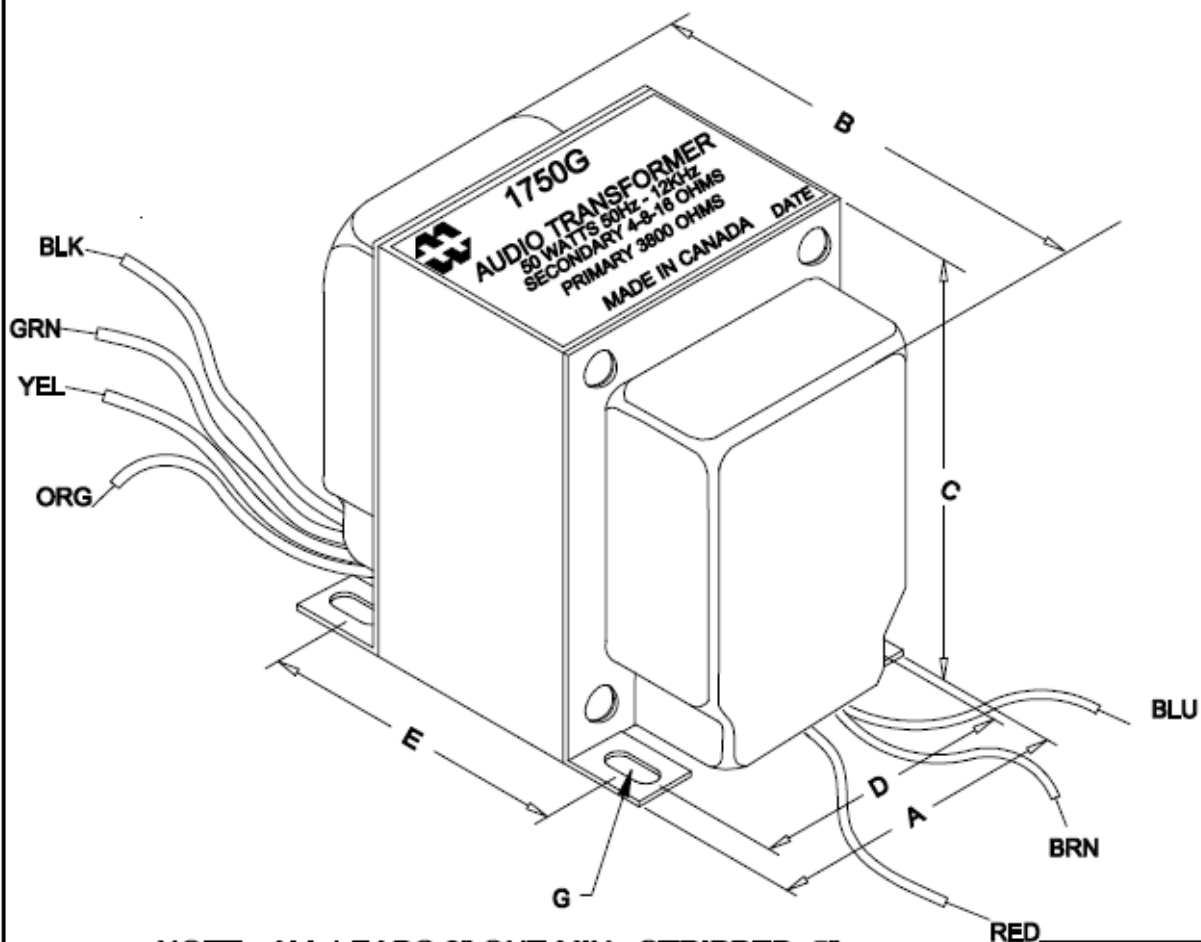


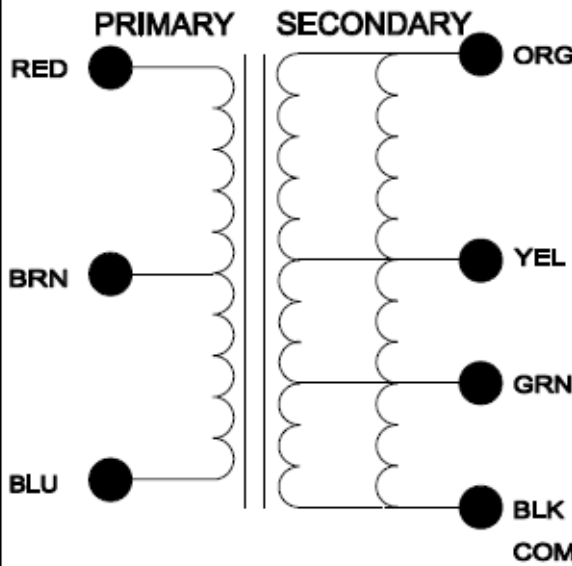
1750G



NOTE: ALL LEADS 9" OUT MIN., STRIPPED .5"

DIMENSIONS:

A	3.320" ±0.063
B	3.750" ±0.063
C	3.810" ±0.063
D	2.500" ±0.063
E	2.440" ±0.063
G	0.250"X 0.375" ±0.015



ELECTRICAL DATA:

Turns ratio:	14.21 : 1
Inductance	@240V,50Hz =>127.32H (Open circuit)
DCR	@ 20C BLU - RED =95.61 Ω ±20%
	@ 20C BLK - ORG =0.250 Ω ±20%
FREQ. RESP	@ 50W (435.890V), 50Hz - 12kHz±1db (1kHz ref)
Prl. Impedance	435.9V (3800Ω CT)
Sec. Impedance	14.14V @3.5A (4Ω)/20V @2.5A (8Ω)/ 28.28V @1.768A (16Ω)
Power	50 WATTS