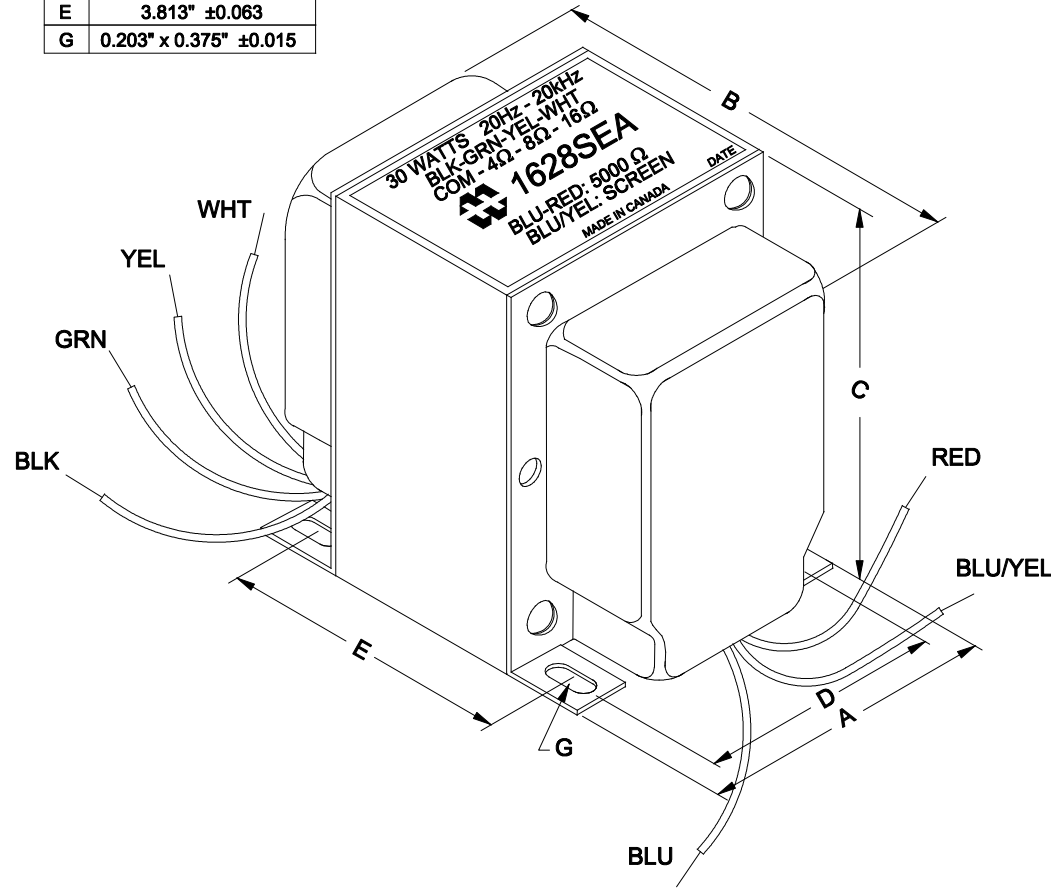
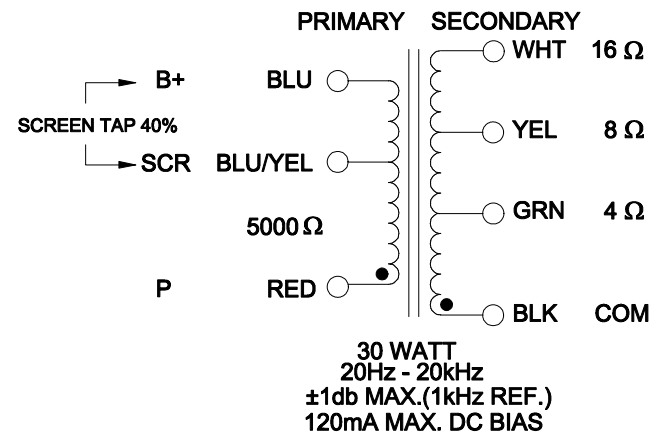


DIMENSIONS:	
A	3.750" ±0.063
B	4.935" ±0.125
C	4.560" ±0.063
D	3.000" ±0.063
E	3.813" ±0.063
G	0.203" x 0.375" ±0.015



NOTE: ALL LEADS 8" OUT MIN.



ELECTRICAL DATA:		
TESTS	CONDITIONS	ACCEPTANCE CRITERIA
Iex	@ 240V, 60Hz, RED - BLU	16.221mA Max.
Sec. N.L.V	@ 240V, 60Hz, RED - BLU	
	BLU - BLU/YEL =	90.00V ±2%
	BLU/YEL - RED =	150.0V ±2%
	BLK - GRN =	6.840V ±2%
	BLK - YEL =	9.720V ±2%
	BLK - WHT =	13.68V ±2%
DCR	@ 20°C, BLU - RED =	166.2 Ω ±20%
	@ 20°C, BLK - WHT =	0.629 Ω ±20%
HIPOT	PRIMARY - SECONDARY	2828VDC, 1 SEC

REV.#	REVISION	DATE	HAMMOND ELECTRONIC DIVISION		PH # (519) 886-6181 FAX # (519) 886-9540
0	RELEASED.	05/22/15	MANUFACTURING™		
			DWG. BY: C. ILIE	CHK'D BY:	TITLE: SINGLE ENDED "CLASSIC" TUBE OUTPUT ULTRA-LINEAR TRANSFORMER
			DATE: 05/22/15	APP'D. BY:	
				DIMENSIONS: IN(X) MM( )	DWG. NO. 1628SEA