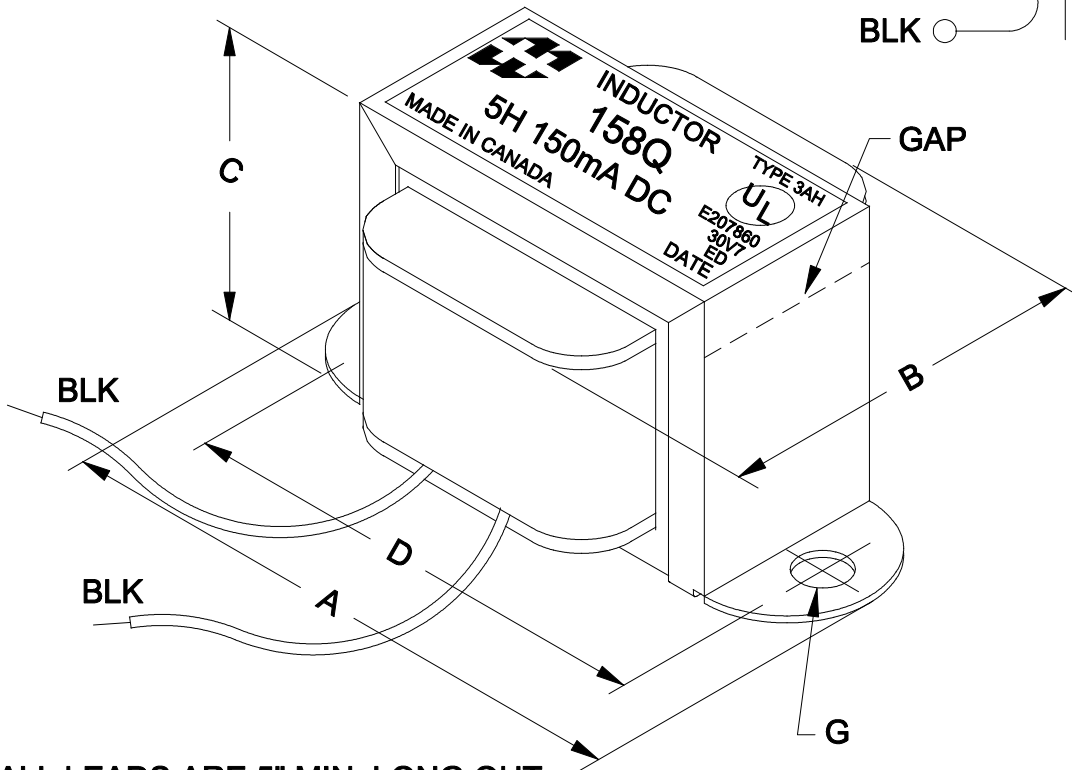
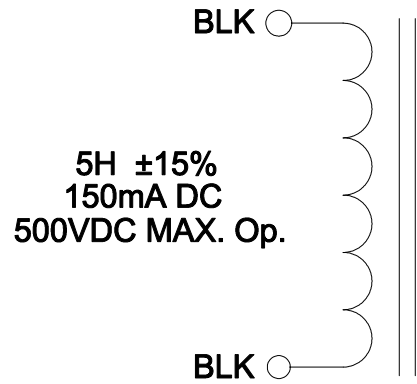


DIMENSIONS:	
A	3.250" ±0.063
B	1.875" ±0.125
C	1.995" ±0.063
D	2.813" ±0.063
G	0.187" ±0.063



NOTE: ALL LEADS ARE 5" MIN. LONG OUT.
OPERATING TEMPERATURE: -40°C TO +85°C
MANUFACTURED USING
CLASS B (130°C) MATERIALS.
RoHS COMPLIANT

ELECTRICAL DATA:		
TESTS	CONDITIONS	ACCEPTANCE CRITERIA
INDUCTANCE	@ 30V, 60Hz, 150mA DC, BLK - BLK	5H ±15%
DCR	@ 20°C, BLK - BLK =	108.0 Ω ±15%
HIPOT	PRIMARY - CORE	2500V, 60Hz, 1 SEC



ELECTRONIC DIVISION
52 RANKIN PLACE,
WATERLOO, ONTARIO, N2J 3Z5
PH # (519) 886-6181
FAX # (519) 886-9540

TITLE		CHOKE		158Q
NO	DATE	REVISION	DWG. BY	
0	06/25/18	RELEASED.	C.I.	
			DATE	
			06/25/18	
DIM IN(X)MM()				