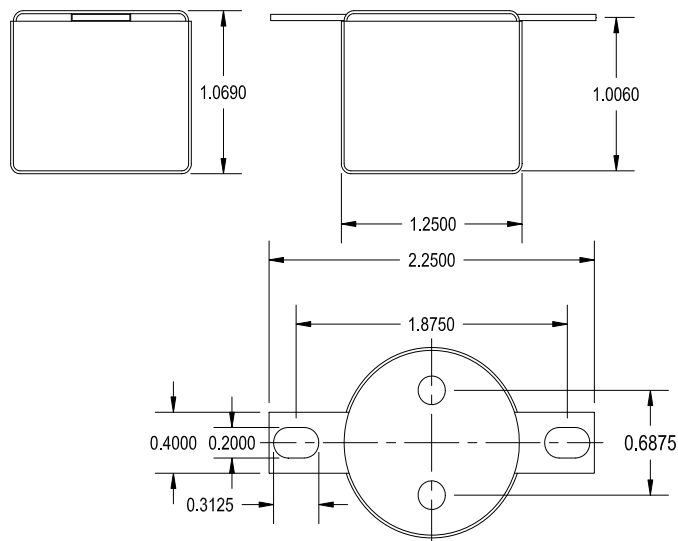


## 1140-MS-B


MICROPHONE ISOLATION TRANSFORMER  
1:1:1 TURNS RATIO WITH DUAL SHIELDS

This transformer provides isolation for a standard 150Ω microphone source into a 1000Ω microphone pre amp. This can be used as a straight isolation transformer or in a typical 3 way splitter application. It also has a wide bandwidth, and excellent shielding from the mu metal can.



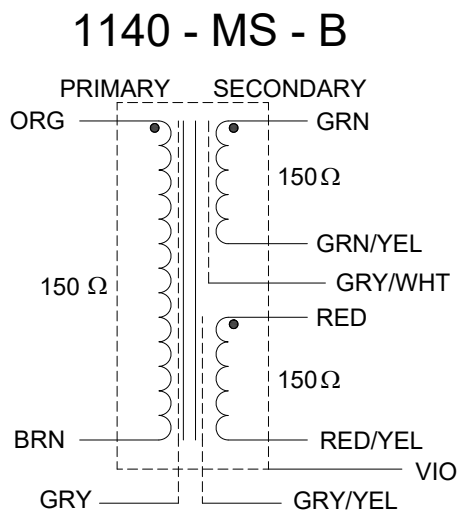
### ELECTRICAL SPECIFICATIONS

Characteristic	Conditions	Typical
Input Impedance		150 Ω
Output Impedance		150/150 Ω
Primary Input Impedance	@ 1kHz -20dbu Test Circuit 3	560KΩ
Secondary Output Impedance	@ 1kHz -20dbu Test Circuit 4	220Ω
Maximum output Level	@ 20Hz Test Circuit 1	+2.0db
DCR		
Primary	@20°C	48.0 Ω
Secondary	@20°C	48.0/48.0 Ω
Frequency Response	@ 20 Hz, -20 dbu, Test Circuit 3	-0.20db
	@ 20 kHz, -20 dbu, Test Circuit 3	0.02db
Turns ratio		1:1:1
Common Mode Rejection Level	@ 60 Hz Test Circuit 2	120db
	3kHz Test Circuit 2	90db
THD	@ 1kHz -20 dbu Test Circuit 1	0.002%
	@ 20Hz -20 dbu Test Circuit 1	0.10%
Phase Shift	@ 20 Hz Test Circuit 1	2.5°
	@ 20 kHz Test Circuit 1	-5.0°
Capacitance	Primary to Shield and Case	500pf
	Secondary to Shield and Case	500pf
Dielectric Strength		500 Vrms



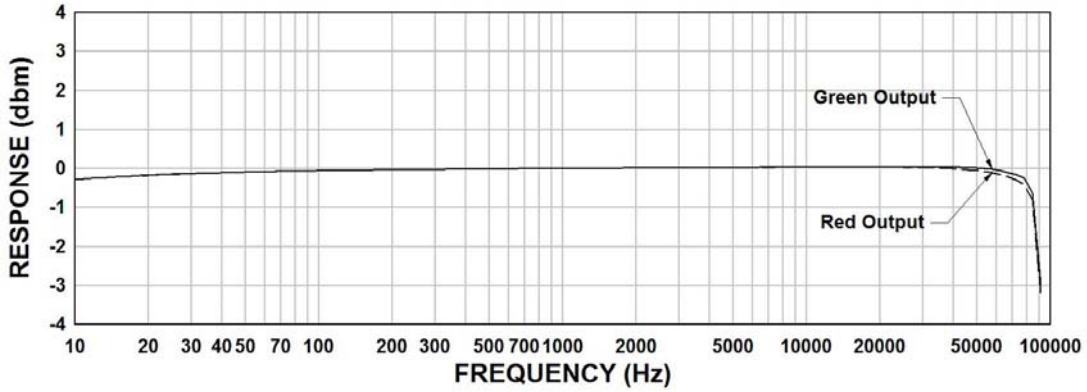
### 1140-MS-B

PRI:ORG - BRN:150 Ω GRY: SHIELD  
 SEC:GRN - GRN/YEL:150 Ω GRY/WHT: SHIELD  
 SEC:RED - RED/YEL:150 Ω GRY/YEL: SHIELD  
 VIO: CAN GROUND  
 MADE IN CANADA                      DATE



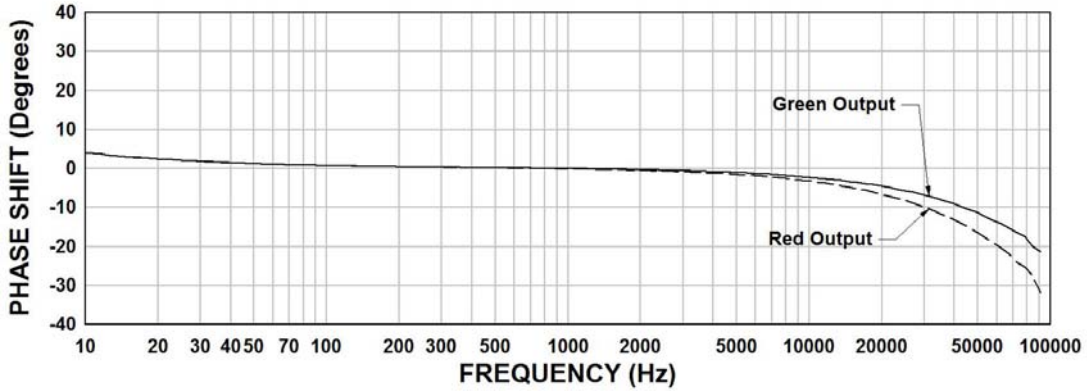
# 1140-MS-B FREQUENCY RESPONSE

Input Level -20dbu  
 $R_s = 150\Omega$ ,  $R_{L1} = 1K\Omega$ ,  $R_{L2} = 1K\Omega$



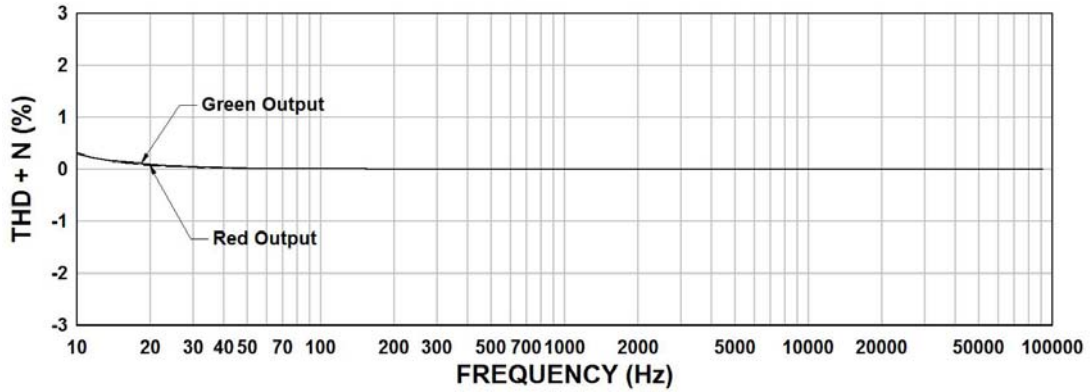
# 1140-MS-B PHASE SHIFT

Input Level -20dbu  
 $R_s = 150\Omega$ ,  $R_{L1} = 1K\Omega$ ,  $R_{L2} = 1K\Omega$

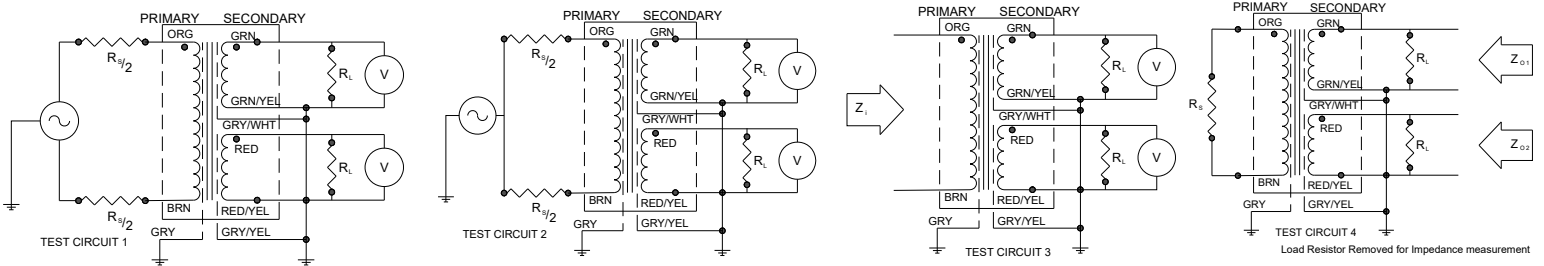


# 1140-MS-B THD + N

Input Level -20dbu  
 $R_s = 150\Omega$ ,  $R_{L1} = 1K\Omega$ ,  $R_{L2} = 1K\Omega$



## TYPICAL TEST CIRCUIT



Measurement instruments: Hp4192a Impedance Analyzer; Hp3456a DVM; Keithley 2002 DVM; D scope series iii audio analyzer

This drawing and the information in it is the property of Hammond Manufacturing. It may not be reproduced, transmitted or used in any manner whatsoever without the written permission of Hammond Manufacturing. Data subject to change without notice.