



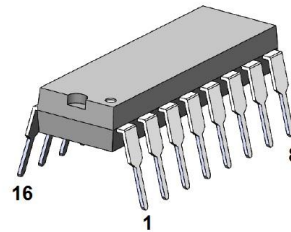
AS3310 - ADSR Voltage Controlled Envelope Generator

FEATURES

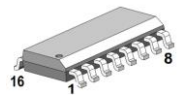
- Large Time Control Range: 100,000:1
- Full ADSR Response
- True RC Envelope Shape
- Exceptionally Low Control Voltage Feedthrough: 90µVmax
- Accurate Exponential Time Control Scales
- Isolated Control Inputs
- Good Repeatability and Tracking Between Units Without External Trim
- Independent Gate and Trigger
- Wide power supply range:
 negative rail: -15V ÷ -9V (via external resistor)
 positive rail: +11V ÷ +15V

APPLICATIONS for electronic music

AS3310
PDIP-16 (300 Mil)



AS3310D
SOIC-16 (150 Mil)



General Description

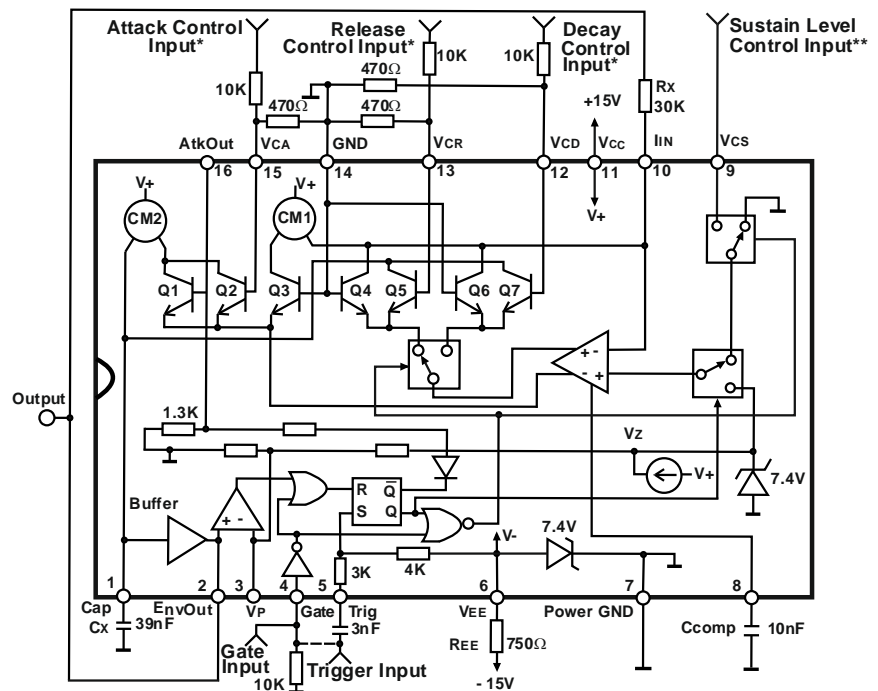
The AS3310 is a self-contained, precision ADSR type of envelope generator intended for electronic music and other sound generation applications. Attack, decay and release times are exponentially voltage controllable over a wide range, and the sustain level is linearly voltage controllable from 0 to 100% of the peak voltage Vp. All four control inputs are isolated from the rest of the circuitry so that the control pins of tracking units may be simply tied together.

On the negative power output, there is an internal Zener diode at 7.4 volts ± 10%, which allows the chip to supply a maximum voltage of ± 15 volts with a current-limiting resistor R_{EE}, and a minimum positive supply voltage of + 11 volts and a minimum negative supply voltage of -5 volts.. A series current limiting resistor must be added between pin 6 and the supply. Its value is calculated as follows: $R_{EE} = (V_{EE} - 7.5) / 0,010$

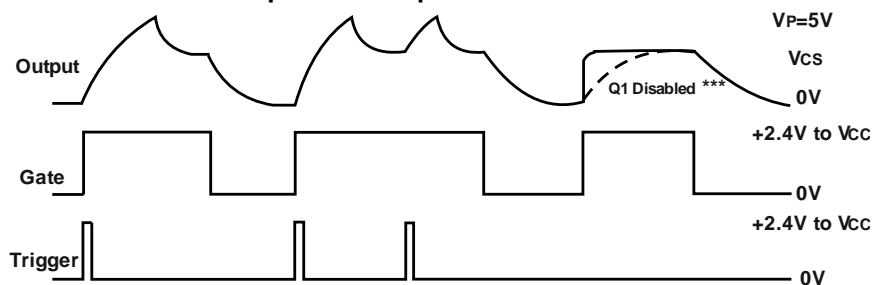
Pin Information

PDIP-16, SOIC-16 Pin No	Pin Name	Description
1	Cap	Capacitor
2	Env Out	Output
3	V _P	Attack Peak Input
4	Gate	Gate Input
5	Trig	Trigger Input
6	V _{EE}	Negative supply
7	Power GND	Power Ground
8	Ccomp	Compensation
9	V _{CS}	Sustain Level Control Input
10	I _{IN}	Input Current
11	V _{CC}	Positive supply
12	V _{CD}	Decay Control Input
13	V _{CR}	Release Control Input
14	GND	Ground
15	V _{CA}	Attack Control Input
16	Atk Out	Attack Output

Circuit Block and Connection Diagram



Input and Output Waveforms



* Zero to -5V Varies the Times from 2mS to 20S

**Zero to +5V Varies the Sustain Level from 0 to 100%

***Q1 Disabled if only a gate is applied with no trigger



Absolute Maximum Ratings

Voltage Between V_{CC} and V_{EE} Pins	24V
Voltage Between V_{CC} and GND Pins	+18V
Voltage Between V_{EE} and GND Pins	-6.5V
Current Into V_{EE} Pin	± 50 mA
Voltage Between Control and GND Pins	± 6 V
Voltage to Gate and Trigger Input Pins	V_{EE} to V_{CC}
Operating Temperature Range	- 25°C to 75°C
Storage Temperature Range	- 55°C to 150°C

Typical Electrical Characteristics $V_{CC}=+15V$ $V_{EE} = -6,5$ to $-15V$ $R_X= 30K$ $T_A= 25^\circ C$

Parameter	Min.	Typ.	Max.	Units
Time Control Range	50 000:1	100 000:1	-	
Attack Asymptote Voltage (V_Z)	6.5	7.0	7.5	V
Attack Peak Voltage (V_P)	4.7	5	5.5	V
Attack Peak to Asymptote Tracking	-	1.5	4	%
Control Scale Sensitivity	58,5	60	61,5	mV/decade
Tempco of Control Scale	+3000	+3300	+3600	ppm
ATK, DCY, RLS Scale Tracking	-300	0	+300	μV /decade
Exponential Full Scale Control Accuracy ¹				
$50nA < I_O < 50\mu A$	-	0.3	1.5	%
$2nA < I_O < 200\mu A$	-	2	10	%
Attack C.V. Feedthrough ²	-	6	90	μV
Decay C.V. Feedthrough ²		NONE		
Release C.V. Feedthrough ²		NONE		
Sustain Final Voltage Error ($V_O - V_{CS}$)	-3	+10	+23	mV
Release Final Voltage Error (V_O)	-3	+10	+23	mV
RC Curve Asymptote Error ³				
$V_{CA}, V_{CD}, V_{CR} = 0$	-	-6	-60	μV
$V_{CA}, V_{CD}, V_{CR} = -240mV$	-	-125	-1250	mV
Input Current (I_{IN}) to Output Current (I_O) Ratio, $V_{CA}, V_{CD}, V_{CR} = 0$ ⁵				
Charge Current (ATK)	0.75	1	1.3	
Discharge Current (DCY, RLS)	0.83	1	1.2	
Buffer Input Current (I_{B2})	-	0.5	5	nA
Op Amp Input Current (I_{B1})	150	400	800	nA
Gate Threshold	2	2.3	2.6	V
Gate Input Current	5	25	100	μA
Trigger Pulse Required to Trigger Envelope	+1.1	+1.3	+1.5	V
Trigger Input Impedance	2.4	3	4	K Ω
Time Control Input Current	0.5	-	2500	nA
Sustain Control Input Current	150	400	800	nA
Attack Output Signal	-0.4	-0.8	-1.2	V
Output Current Sink Capability	0,42	0,56	0,7	mA
Buffer Output Impedance	100	200	350	Ω
Positive Supply Range	+11	-	+18	V
Negative Supply Range ⁴	-4.5	-	-18	V
Supply Current	5.6	7.5	9.4	mA

Note 1: Scale factor determined at mid-range. Spec represents total deviation from ideal at range extremities.

Note 2: Output is at either sustain final voltage or release final voltage. V_{CA}, V_{CD}, V_{CR} varies 0 to -240mV.

Note 3: Spec represents the difference between the actual final voltages (attack asymptote voltage, sustain final voltage, and release final voltage in the case of attack, decay, and release respectively) and the apparent voltage to which the output seems to be approaching asymptotically.

Note 4: Current limiting resistor required when $V_{EE} > -7$ volts.

Note 5: Spec also represents time constant variation between units for $V_{CA}, V_{CD}, V_{CR} = 0$.

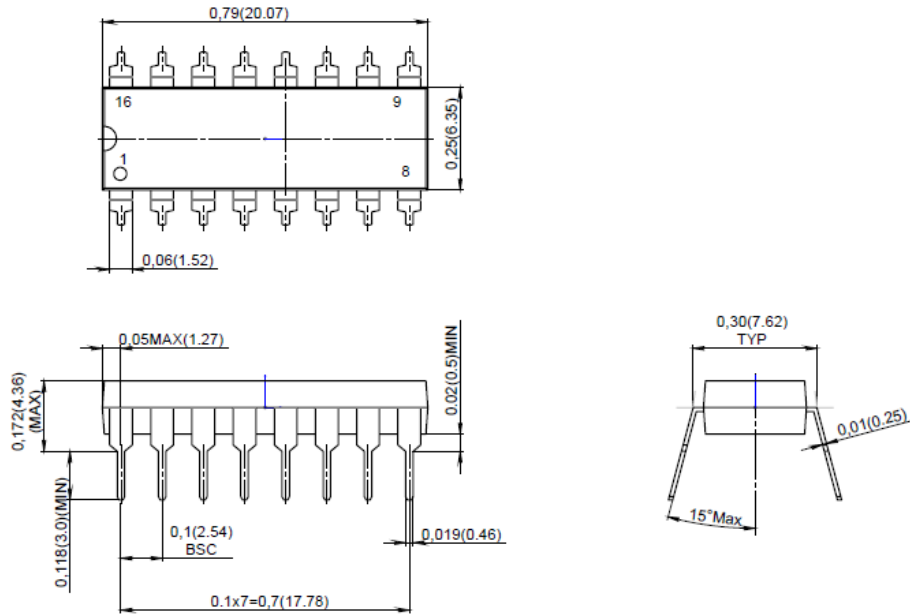
Specifications subject to change without notice.

Package Information

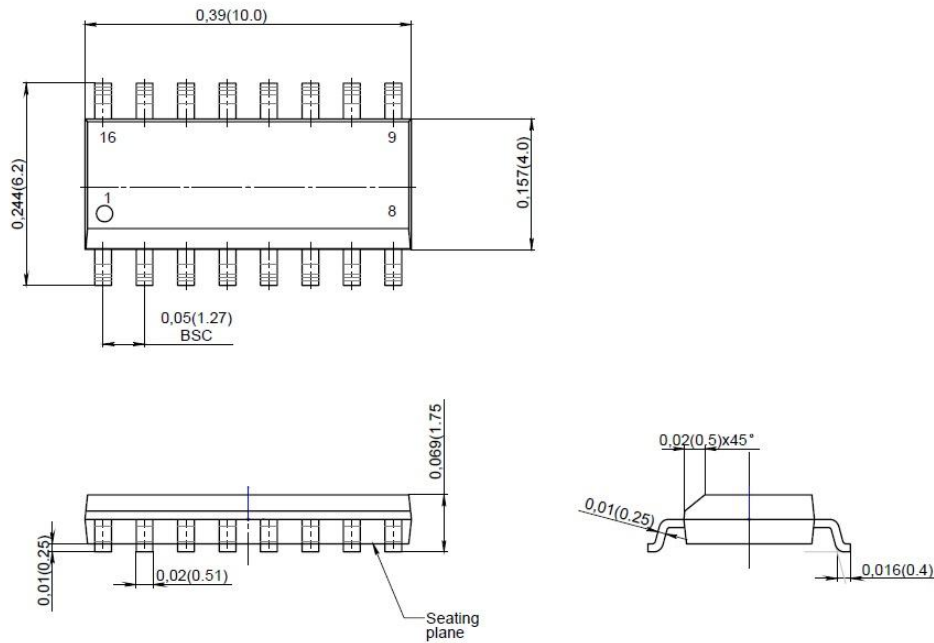
Device type	Package
AS3310	PDIP-16 (300 Mil body)
AS3310 D	SOIC-16 (150 Mil)

Units: inch (mm)

PDIP-16 (300 Mil)



SOIC-16 (150Mil)



Revision history

Date	Revision	Changes
27-Sep-2017	1	Preliminary version 1
21-Oct-2017	2	Minor changes: Ccomp=10nF
29-Nov-2017	3	Changes in supply and attack levels
19-Dec-2017	4	Changes in Description and Block Diagram
21-May-2018	5	Minor changes
30-Sep-2019	6	Minor changes: Rx=30K