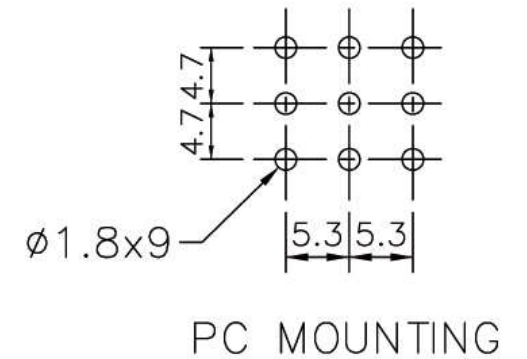
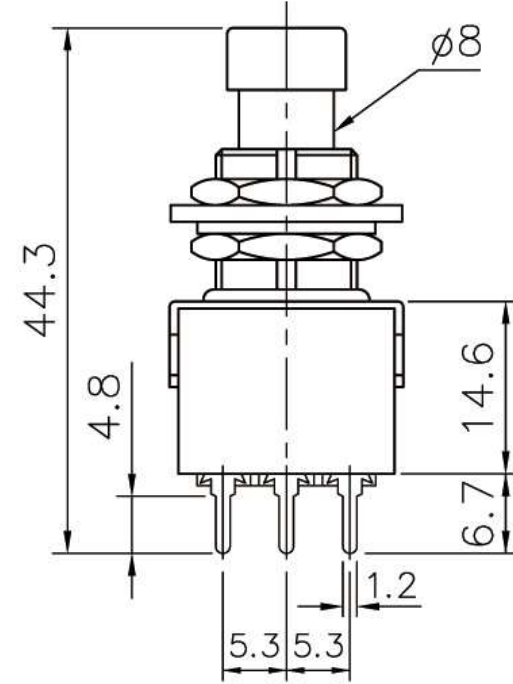
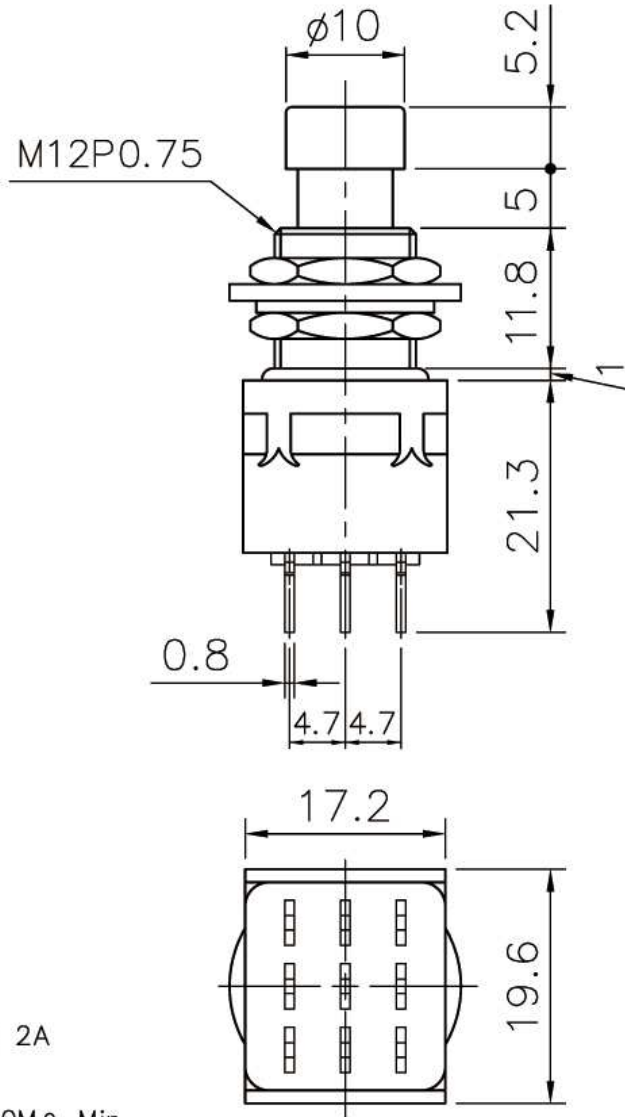


Dimensional
units are
millimeters



1. Rating: AC 125V 4A 250V 2A
2. Contact R.: 20m Ω Max.
3. Insulation R.: DC 500V 100M Ω Min.
4. Dielectric Strength: AC 1500V 1 minute.
5. Electrical Life: 20,000 mark-and-break cycles at full load.
6. Operating Temperature: -20 $^{\circ}$ C ~ 65 $^{\circ}$ C

P-H501-PC

3PDT Latching Footswitch
with PC Mount Terminals