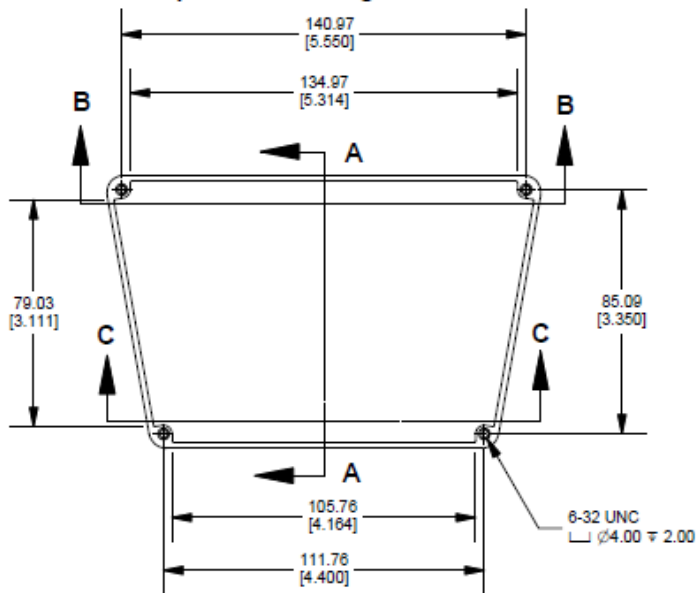
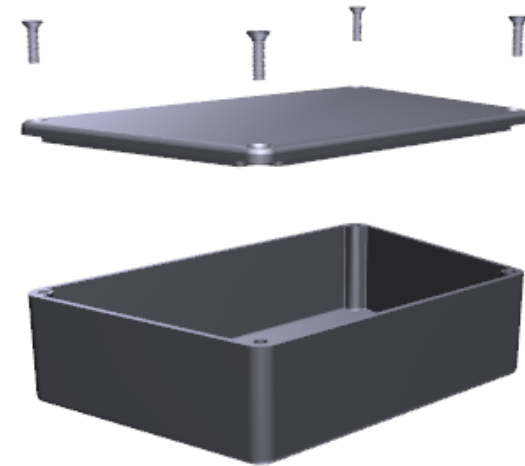
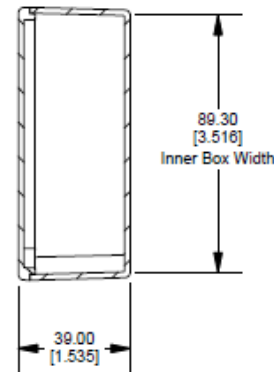


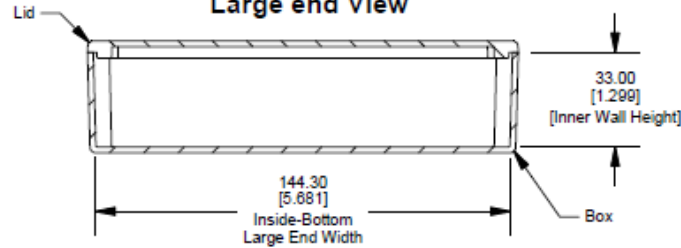
Top View Looking inside Box



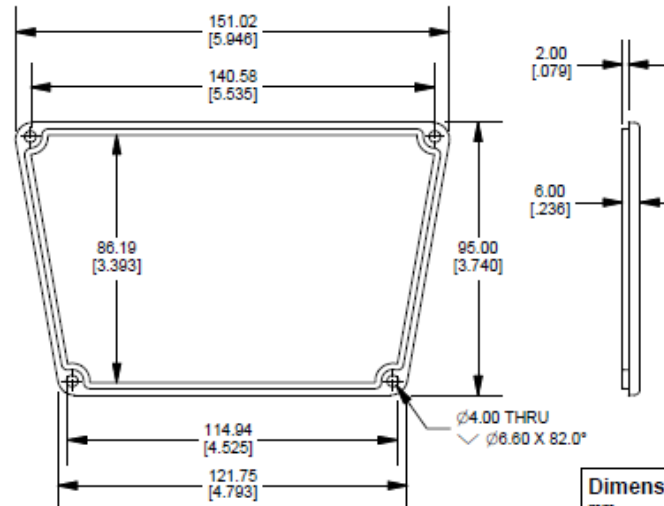
**SECTION A-A
Side View of Assembly**



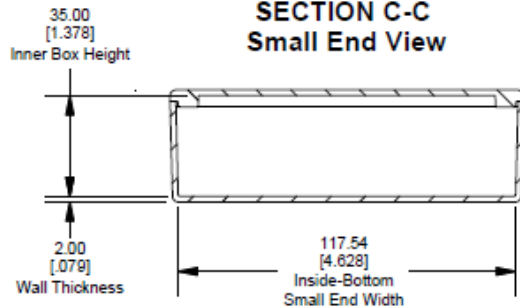
**SECTION B-B
Large end View**



Lid



**SECTION C-C
Small End View**



NOTE
Purchased assembly includes box, lid and 4 cover screws.
Box and lid are made from Diecast Aluminum Alloy.

PART NUMBERS	
1590TRPC Enclosure	
Natural Finish Enclosure	1590TRPC
Black Textured Enclosure	1590TRPCBK
ACCESSORIES	
Recommended Torque: 75 ozf.in / 55 cN.m	
Plated Cover Screws (Pkg 100) [6-32 x 1/2"]	1590MS100
Black Cover Screws (Pkg 100) [6-32 x 1/2"]	1590MS100BK

**HAMMOND
MANUFACTURING™**
1590TRPC

Dimensions:
mm
[inches]