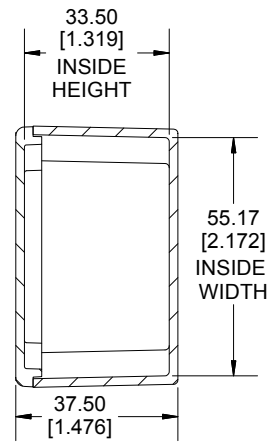
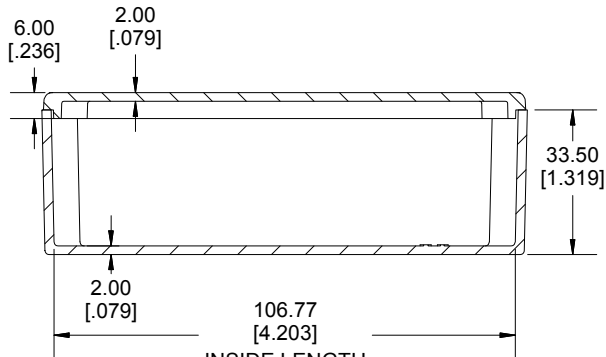
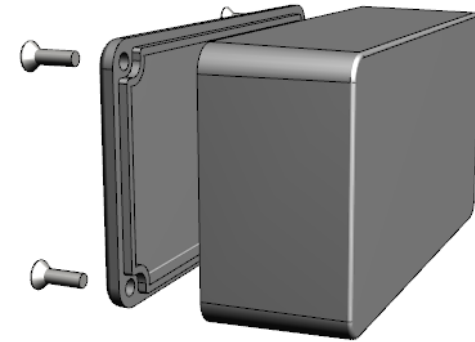


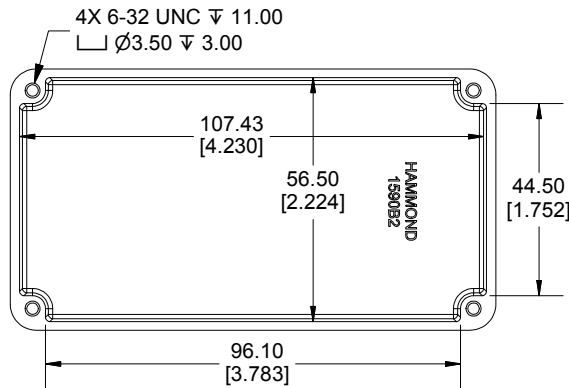
**TOP VIEW**



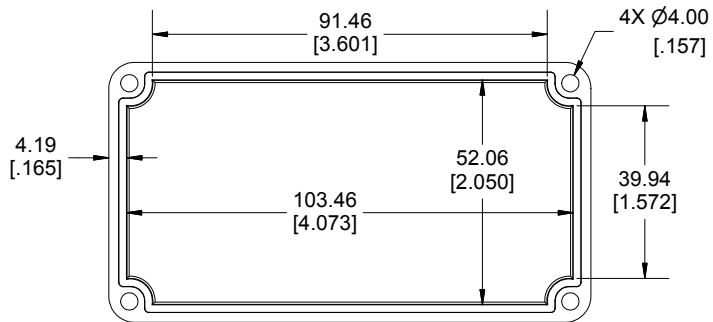
**SECTION A-A  
END VIEW**



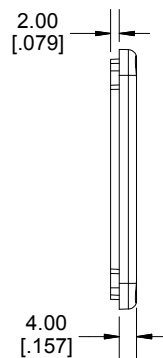
**SECTION B-B  
SIDE VIEW**



**INSIDE BOX**



**INSIDE LID**



<b>NOTE</b>
Purchased assembly includes box, lid and 4 cover screws. Box and lid are made from Diecast Aluminum Alloy. Silicone Gasket supplied with liquid resistant enclosure.
<b>Recommended Torque: 50-55 cN.m [71-78 ozf.in]</b>
<b>Recommended Torque with Gasket : 25-30 cN.m [36-43 ozf.in]</b>



**Dimensions:**  
mm  
[inches]