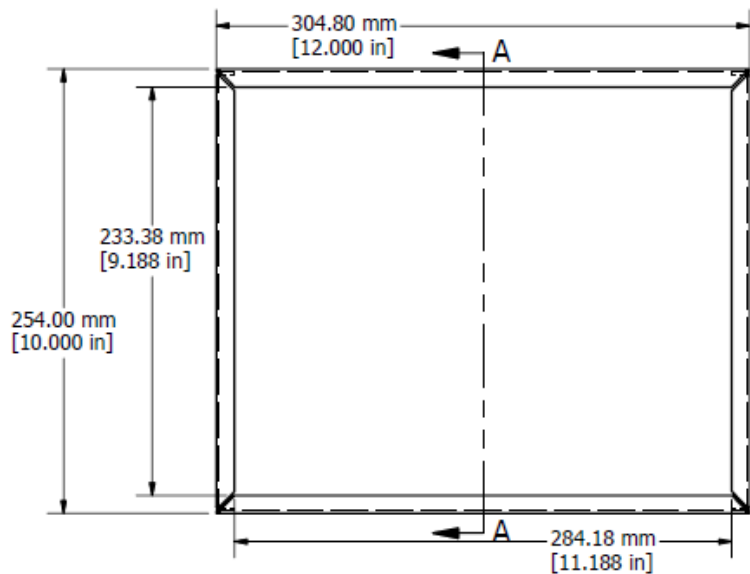
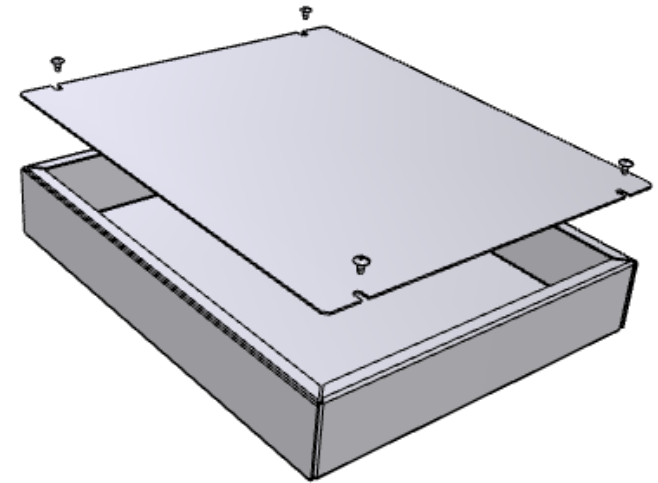
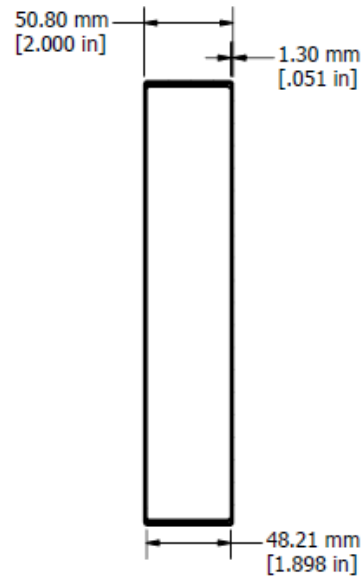


1434-29 - VIEW FROM TOP (SOLD SEPERATELY)



1444-29 - VIEW FROM TOP (SOLD SEPERATELY)



SECTION A-A

MATERIAL- 0.051" UNPAINTED ALUMINUM - ALL PARTS SOLD SEPERATELY
- CHASIS - 1444-29
- COVER - 1434-29
- 6 SCREWS (6-32 x 1/4 SHEET METAL SCREWS) - 1421J6