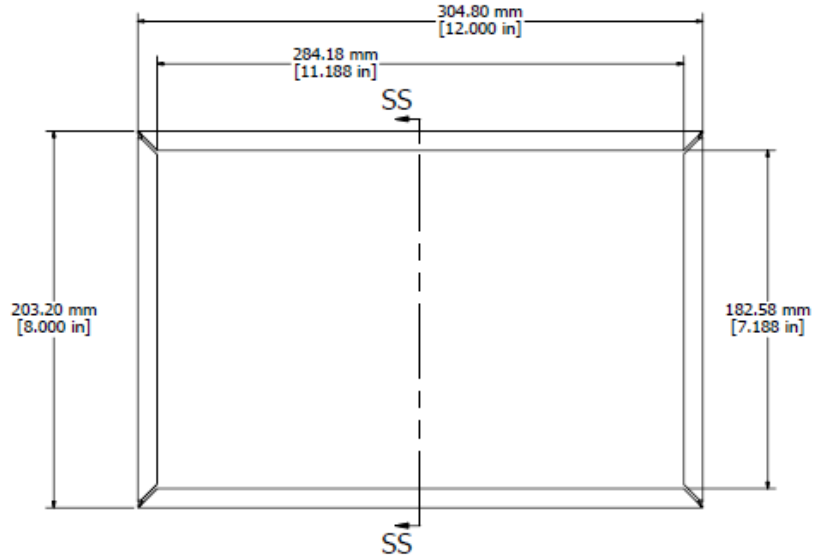
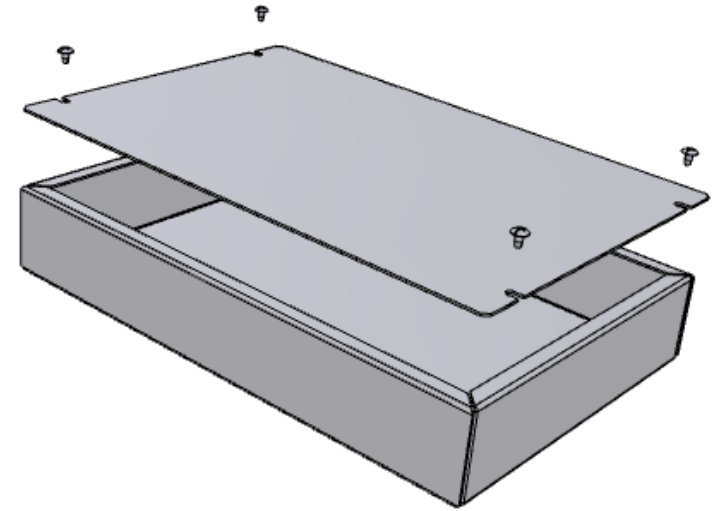
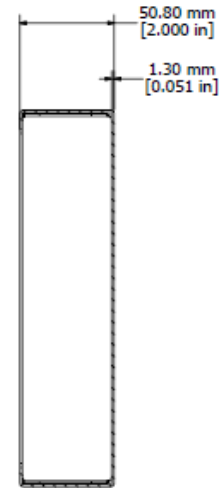


1434-22 - VIEW FROM TOP (SOLD SEPERATELY)



1444-22 - VIEW FROM TOP (SOLD SEPERATELY)



SECTION SS-SS

MATERIAL - 0.051" UNPAINTED ALUMINUM - ALL PARTS SOLD SEPERATELY
- CHASIS - 1444-22
- COVER - 1434-22
- 6 SCREWS (6-32 x 1/4 SHEET METAL SCREWS) - 1421J6