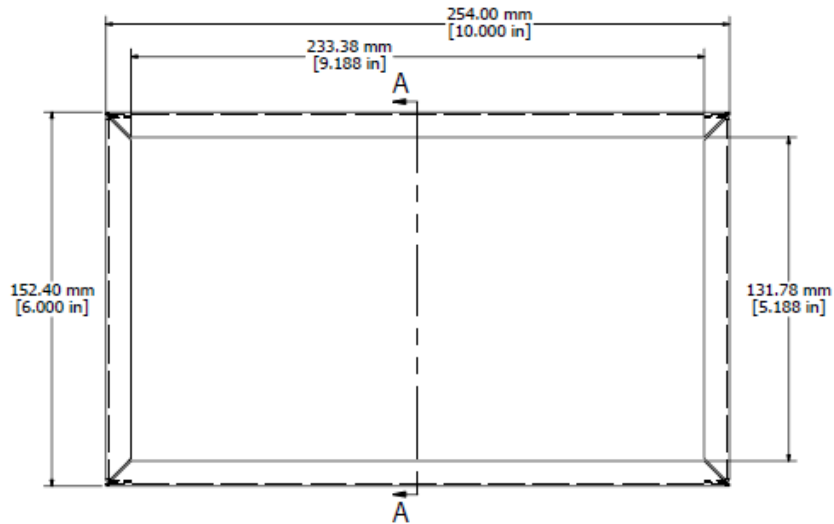
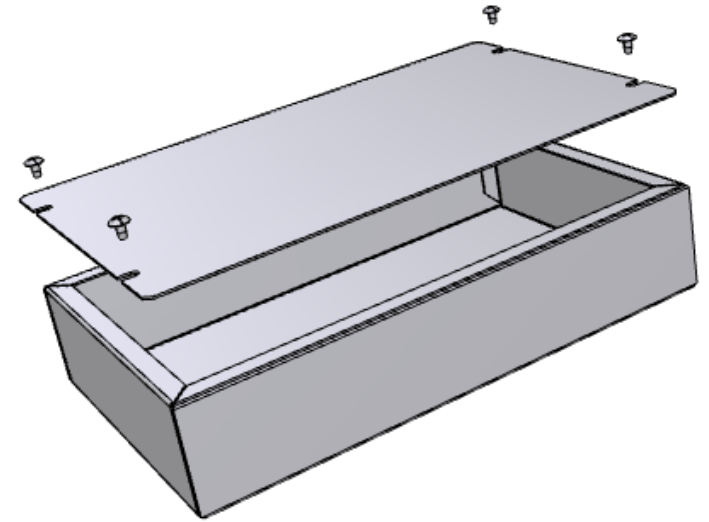
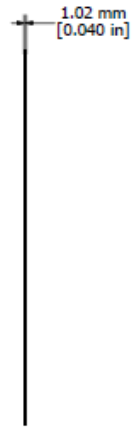
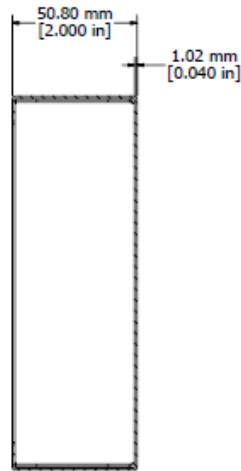


1434-16 - VIEW FROM TOP (SOLD SEPERATELY)



1444-16 - VIEW FROM TOP (SOLD SEPERATELY)



SECTION A-A

<b>MATERIAL- 0.040" UNPAINTED ALUMINUM - ALL PARTS SOLD SEPERATELY</b>
- CHASIS - 1444-16
- COVER - 1434-16
- 6 SCREWS (6-32 x 1/4 SHEET METAL SCREWS) - 1421J6