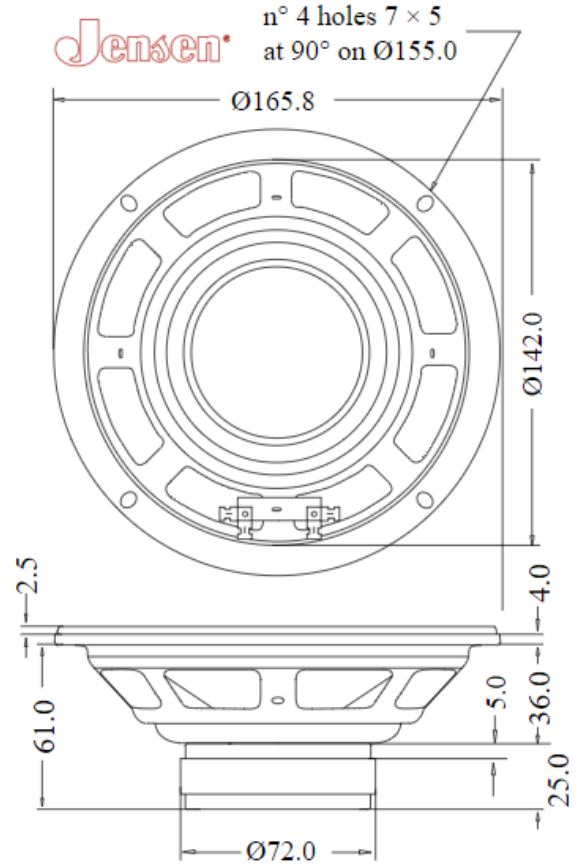


General Characteristics		
Nominal Overall Diameter	165 mm	6 in
Nominal Voice Coil Diameter	25 mm	0.98 in
Magnet Weight	245 g	9 oz
Overall Weight	0.7 kg	1.54 lbs
Flux Density		1 T
Voice Coil Winding Depth	7 mm	0.28 in
Magnetic Gap Depth	5 mm	0.2 in

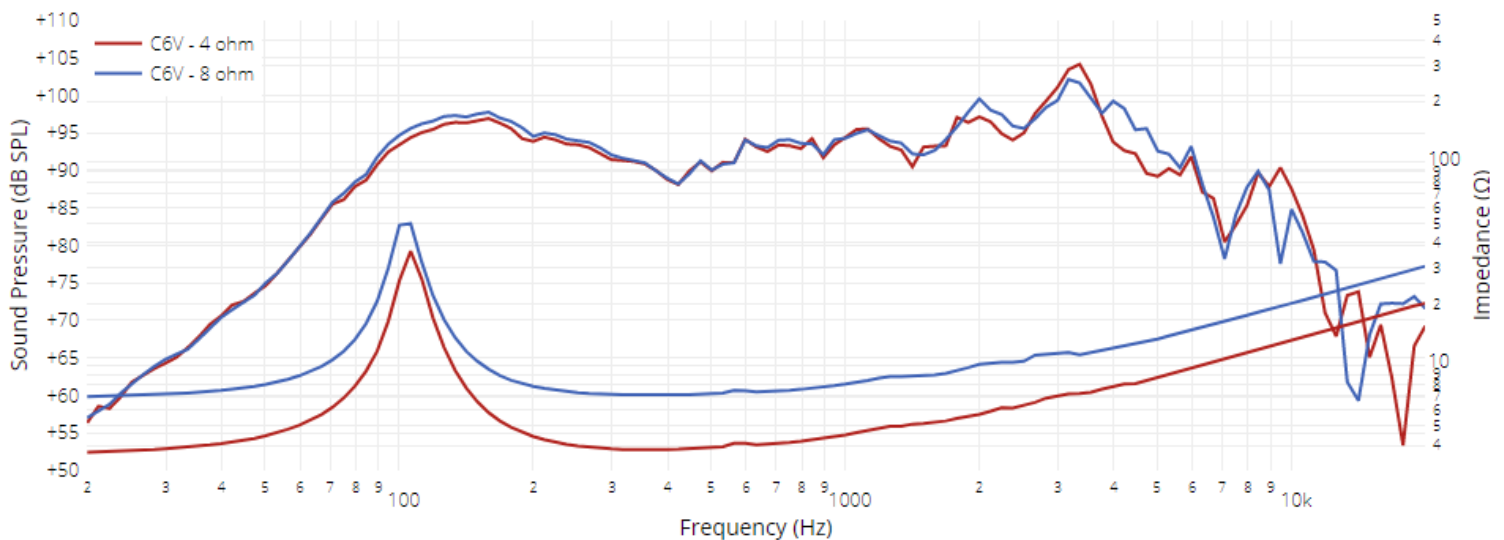
Electrical Characteristics	4Ω	8Ω	
Nominal Impedance	4	8	Ω
Rated Power	20	20	W
Musical Power	40	40	W
Sensitivity@1W,1m	91.5	91.3	dB

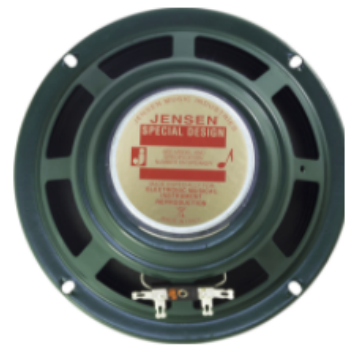
Thiele-Small Parameters		4Ω	8Ω	
Voice Coil DC Resistance	$R_E$	3.3	6.58	Ω
Resonance Frequency	$f_S$	110	106.3	Hz
Mechanical Q Factor	$Q_{MS}$	11.29	10.65	
Total Q Factor	$Q_{TS}$	0.91	1.08	
Mechanical Moving Mass	$M_{MS}$	7.3	6.8	g
Mechanical Compliance	$C_{MS}$	287	327	μm/N
Force Factor	$BxL$	4.1	5	Wb/m
Equivalent Acoustic Volume	$V_{AS}$	6.1	7	lt.
Diaphragm Area	$S_D$	122.7	122.7	cm <sup>2</sup>
Voice Coil Inductance @ 1kHz	$L_E$	0.3	0.48	mH
Electrical Q Factor	$Q_{ES}$	0.99	1.20	
Maximum Linear Displacement	$X_{MAX}$	±0.5		mm
Reference Efficiency	$\eta_0$	0.67		%
Losses Electrical Resistance	$R_{ES}$	58.4		Ω

Constructive Characteristics	
Magnet	Ferrite
Voice Coil Winding	Copper
Voice Coil Former	Epotex
Cone Material	Paper
Surround Material	Integrated Paper
Dust Dome Material	Non-treated Cloth
Basket Material	Pressed Sheet Steel
Surround Treatment	Yes



Frequency Response on IEC Baffle (DIN45575) @ 1W, 1 m - Free Air Impedance





Due to continuing product improvement, the features and the design are subject to change without notice.  
Jensen Loudspeakers - website: [www.jensentone.com](http://www.jensentone.com) .

03/19/2021 - 06:1: