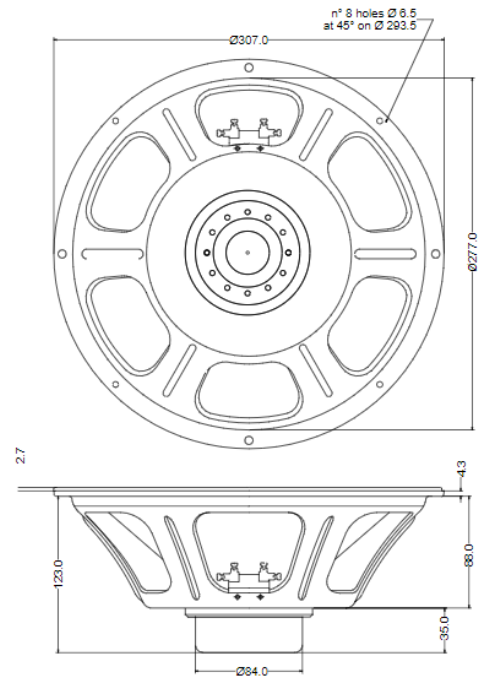


General Characteristics			
Nominal Overall Diameter	307 mm	12 in	
Nominal Voice Coil Diameter	50 mm	2 in	
Magnet Weight	160 g	6 oz	
Overall Weight	2 kg	4.41 lbs	
Flux Density		1.2 T	
Voice Coil Winding Depth	10 mm	0.39 in	
Magnetic Gap Depth	8 mm	0.31 in	

Thiele-Small Parameters			
		8Ω	16Ω
Voice Coil DC Resistance	R_E	6.7	12.1
Resonance Frequency	f_S	116	118
Mechanical Q Factor	Q_{MS}	16.26	20.19
Total Q Factor	Q_{TS}	1.04	1.1
Mechanical Moving Mass	M_{MS}	33	32.5
Mechanical Compliance	C_{MS}	57	56
Force Factor	B_{XL}	12.05	15.81
Equivalent Acoustic Volume	V_{AS}	19.5	19.2
Diaphragm Area	S_D	490.9	490.9
Voice Coil Inductance @ 1kHz	L_E	0.7	1.32
Electrical Q Factor	Q_{ES}	1.11	1.16

Constructive Characteristics	
Magnet	Neodymium
Voice Coil Winding	Copper
Cone Material	Paper
Surround Material	Integrated Paper
Dust Dome Material	Non-treated Cloth
Basket Material	Pressed Sheet Steel
Surround Treatment	Yes

Electrical Characteristics		8Ω	16Ω	
Nominal Impedance		8	16	Ω
Rated Power		100	100	W
Musical Power		200	200	W
Sensitivity@1W,1m		97.2	97.6	dB



Frequency Response on IEC Baffle (DIN45575) @ 1W, 1 m - Free Air Impedance

