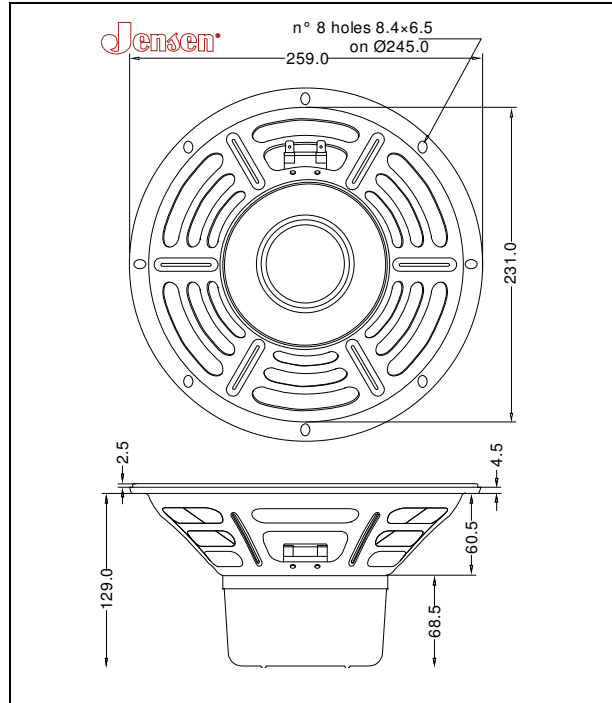


GENERAL CHARACTERISTICS		
Nominal Overall Diameter	259 mm	10 in
Nominal Voice Coil Diameter	50 mm	2 in
Magnet Weight	826 g	29 oz
Overall Weight		6.90 lbs
Flux Density		1.00 T

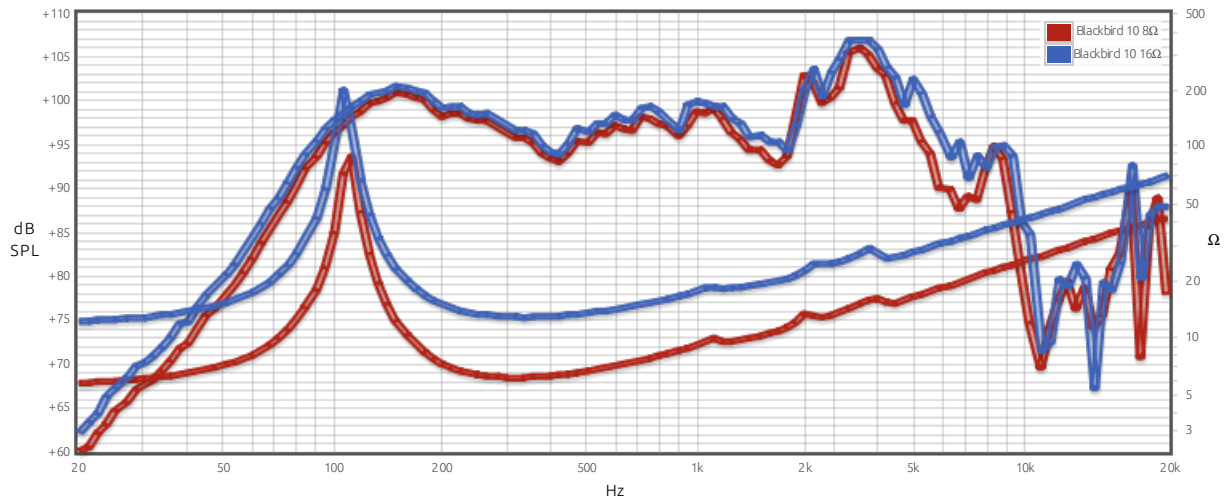
ELECTRICAL CHARACTERISTICS	8 Ω		16 Ω	
	Nominal Impedance	8	16	Ω
Rated Power	100	100	W	
Musical Power	200	200	W	
Sensitivity@1W,1m	97.0	96.9	dB	

THIELE-SMALL PARAMETERS		8 Ω		16 Ω	
Voice Coil DC Resistance	R_E	5.97	11.61	Ω	
Resonance Frequency	f_S	112.1	107.1	Hz	
Mechanical Q Factor	Q_{MS}	14.73	15.00		
Electrical Q Factor	Q_{ES}	0.85	0.89		
Total Q Factor	Q_{TS}	0.80	0.84		
Mechanical Moving Mass	M_{MS}	22.0	20.9	g	
Mechanical Compliance	C_{MS}	90	106	μm/N	
Force Factor	B_{xL}	10.45	13.53	Wb/m	
Equivalent Acoustic Volume	V_{AS}	14.1	16.3	lt.	
Maximum Linear Displacement	X_{MAX}	± 1.0	± 1.0	mm	
Reference Efficiency	η_D	2.26	2.15	%	
Diaphragm Area	S_D	330.0	330.0	cm ²	
Losses Electrical Resistance	R_{ES}	103.9	195.2	Ω	
Voice Coil Inductance @ 1kHz	L_E	0.79	1.00	mH	

CONSTRUCTIVE CHARACTERISTICS	
Magnet	Alnico
Voice Coil Winding	Aluminum
Voice Coil Former	Kapton
Cone	Paper
Surround	Integrated Paper
Dust Dome	Non Treated Cloth
Basket	Pressed Sheet Steel



Frequency Response on IEC Baffle (DIN 4575) @ 1 W, 1 m - Free Air Impedance



Due to continuing product improvement, the features and the design are subject to change without notice.