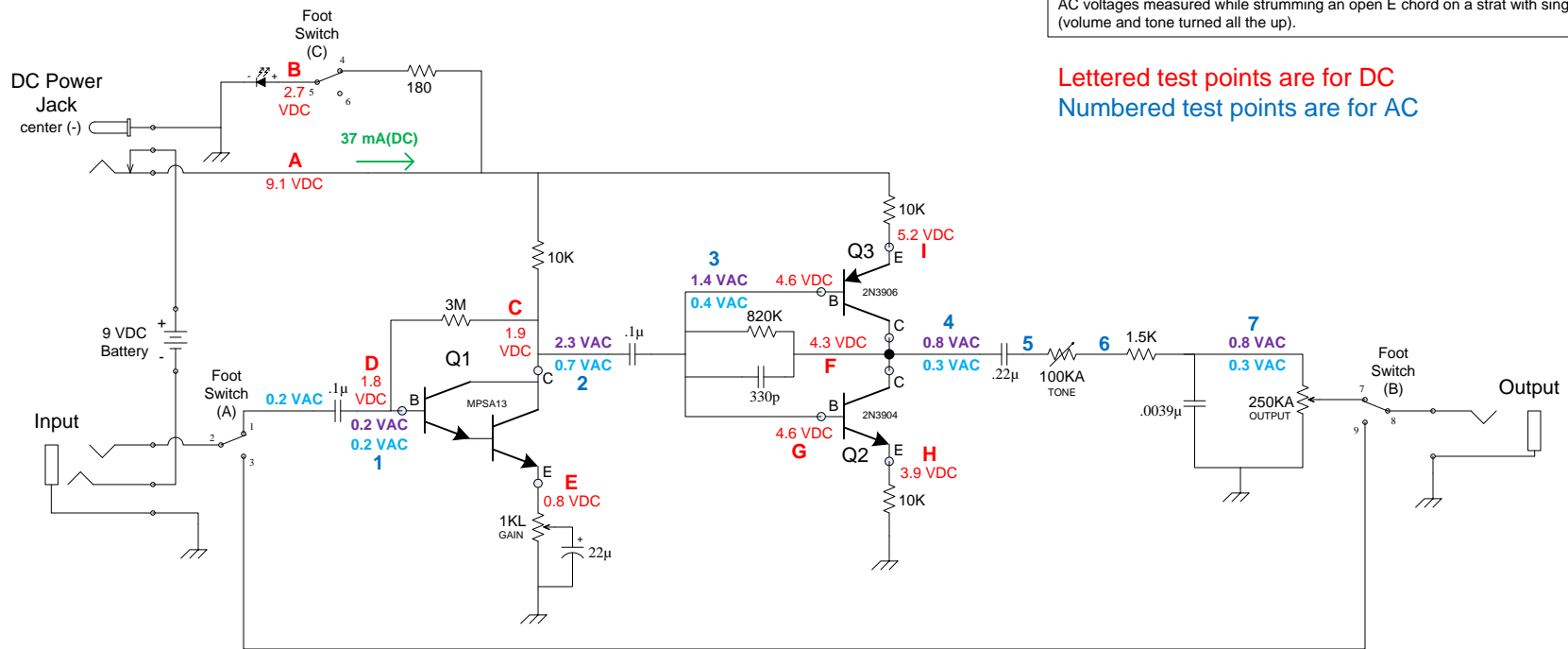


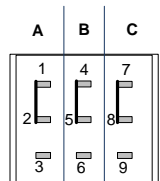
- DC Voltages measured with respect to ground.
  - AC Voltages (top) measured with 1KL pot set to max gain.  
100KA Tone Set to Max.
  - AC Voltages (bottom) measured with 1KL pot set to min gain.  
100KA Tone set to Max.
- AC voltages measured while strumming an open E chord on a strat with single coil neck pickup (volume and tone turned all the up).

Lettered test points are for DC  
Numbered test points are for AC

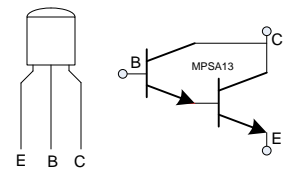


**P-H501**

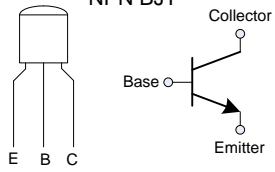
3PDT  
Footswitch



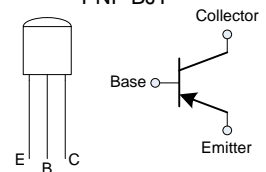
MPSA13  
NPN Darlington Transistor



2N3904  
NPN BJT



2N3906  
PNP BJT



www.modkitsdiy.com  
Copyright © 2015 by modkitsdiy.com

**"The Contortionist II" (K-965)  
Schematic**