

GENERAL-PURPOSE TRIODE

DESCRIPTION AND RATING

GENERAL DESCRIPTION

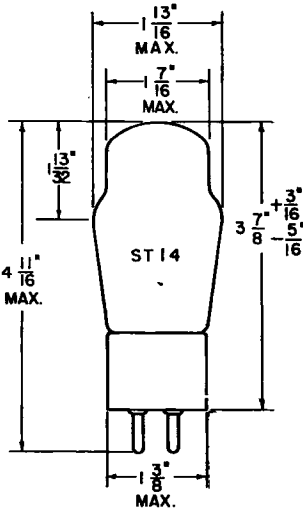
Principal Application: The 26 is a filament type triode designed for use in the amplifier stages of

a-c-operated receivers.

Cathode: Coated Filament
 Filament Voltage (A-C or D-C). 1.5 Volts
 Filament Current 1.05 Ampere
 Envelope: ST-14 Glass
 Base: A4-9 Medium 4-Pin

Mounting Position: Vertical, Base Down
 Direct Interelectrode Capacitances:
 Grid to Plate 8.1 $\mu\mu\text{f}$
 Input 2.8 $\mu\mu\text{f}$
 Output 2.5 $\mu\mu\text{f}$

PHYSICAL DIMENSIONS

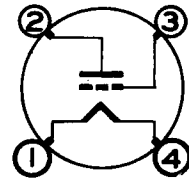


RMA 14-1

TERMINAL CONNECTIONS

- Pin 1 - Filament
- Pin 2 - Plate
- Pin 3 - Grid
- Pin 4 - Filament

BASING DIAGRAM



RMA 4D
BOTTOM VIEW

MAXIMUM RATINGS

| | Design Center | Absolute | |
|-------------------------|---------------|----------|-------|
| Plate Voltage | 180 | 198 | Volts |

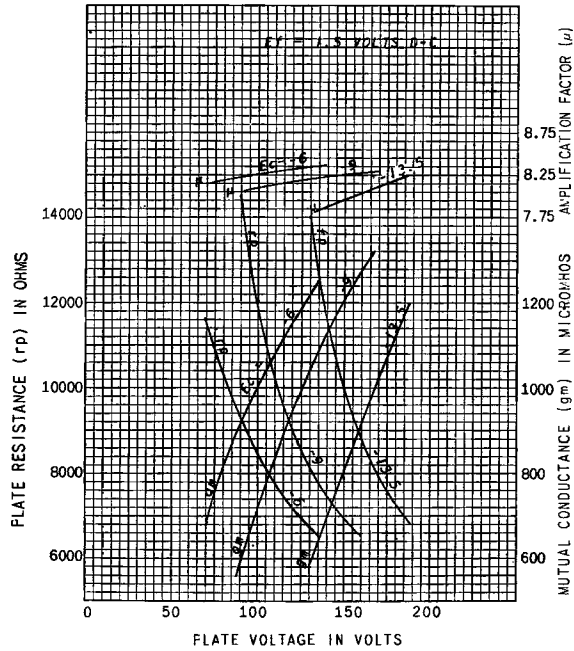
CHARACTERISTICS AND TYPICAL OPERATION

CLASS A AMPLIFIER:

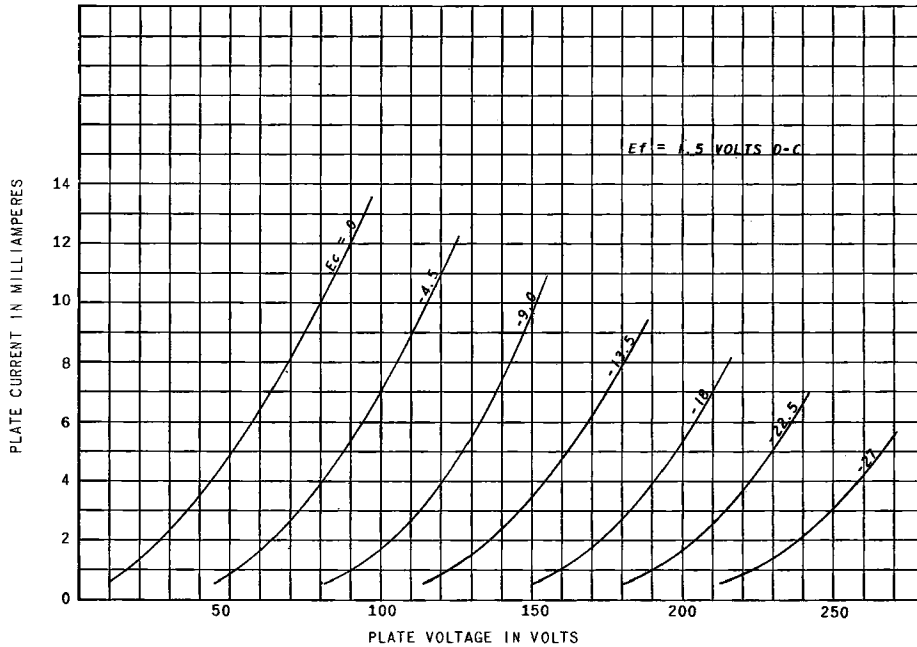
| | | | | |
|--------------------------------|------|------|-------|--------------|
| Plate Voltage | 00 | 135 | 180 | Volts |
| Grid Voltage * | -7 | -10 | -14.5 | Volts |
| Amplification Factor | 8.3 | 8.3 | 8.3 | |
| Plate Resistance | 8900 | 7800 | 7300 | Ohms |
| Mutual Conductance | 935 | 1100 | 1150 | Micromhos |
| Plate Current | 2.9 | 5.5 | 6.2 | Milliamperes |

* Grid volts measured from mid-point of a-c-operated filament.

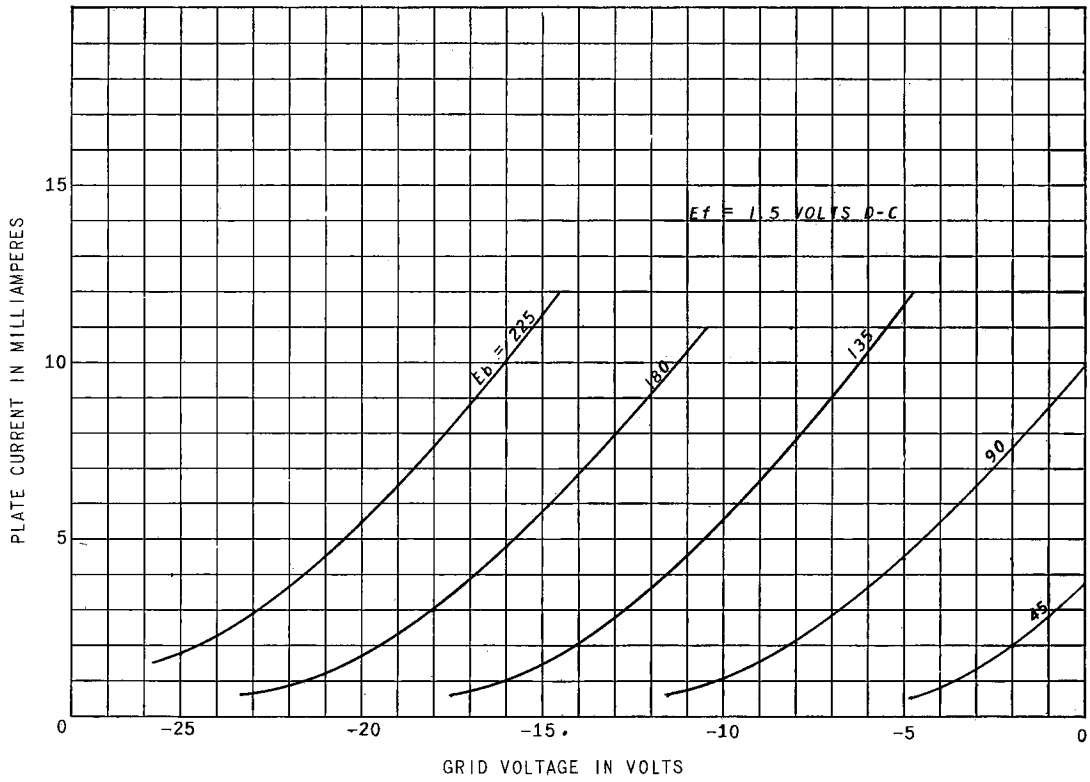
AVERAGE CHARACTERISTICS



AVERAGE PLATE CHARACTERISTICS



AVERAGE CHARACTERISTICS



TUBE DEPARTMENT
GENERAL  ELECTRIC
Schenectady 5, N. Y.